

MICRO SWITCH

FREEDPORT ILLINOIS U.S.A.
A DIVISION OF HONEYWELL

FED MFG CODE 9182P

SWITCH-TOGGLE

CATALOG LISTING
1TL887 SERIES

CHART 1

THIS DRAWING COVERS A PROPRIETARY ITEM AND IS THE PROPERTY OF MICRO SWITCH A DIVISION OF HONEYWELL. THIS DRAWING IS NOT TO BE COPIED OR USED WITHOUT THE APPROVAL OF MICRO SWITCH.

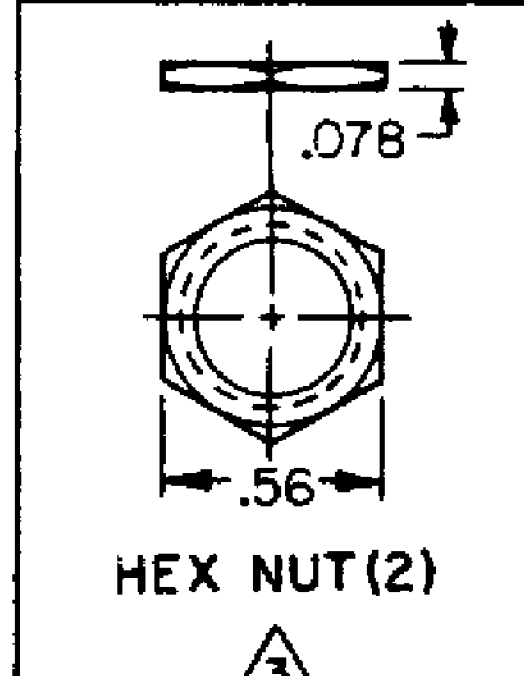
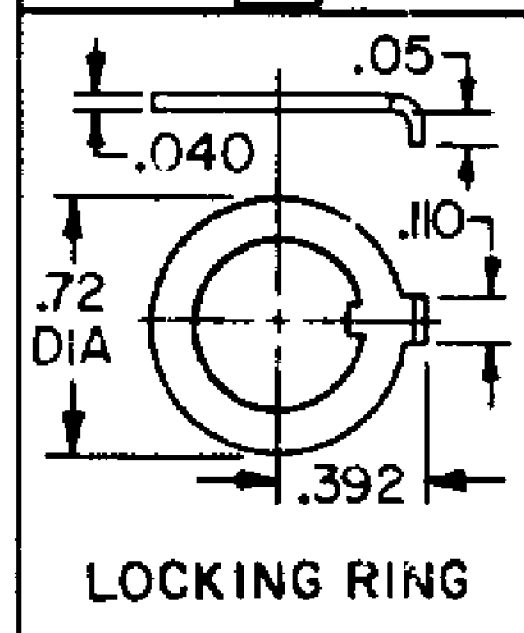
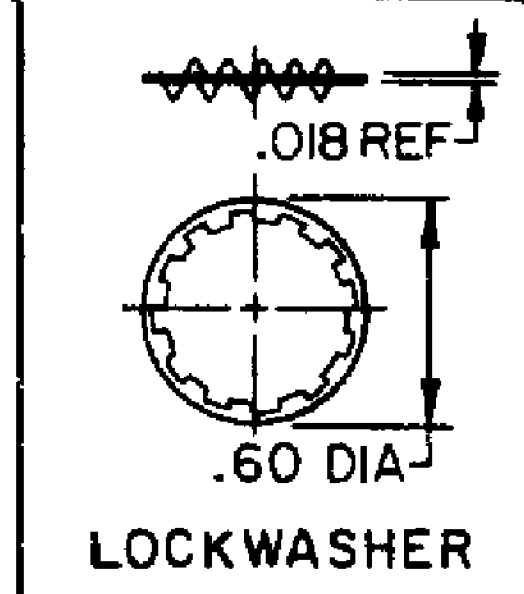
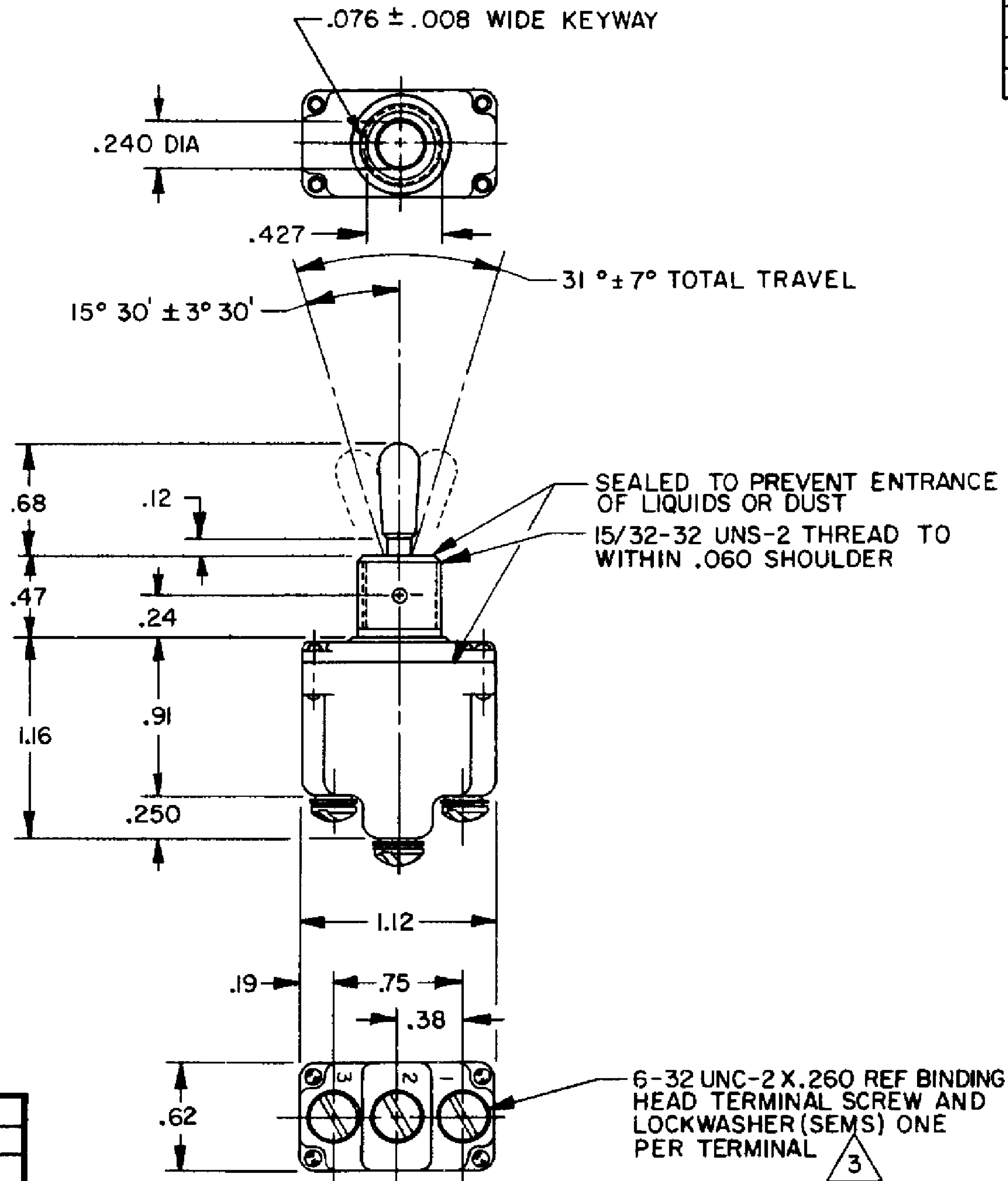
CATALOG LISTING

CIRCUIT MADE WITH TOGGLE LEVER IN
KEYWAY SIDE (1-2) CENTER (1-2) OPPOSITE KEYWAY (2-3)

CURRENT CAPACITY (AMPS)

RESISTIVE LOAD					LAMP LOAD		INDUCTIVE LOAD	
DC VOLTS	125	250	125	250	28 VDC	125 VAC	28 VDC	125 VAC
20	.75	.5	15	6	5	3	15	10
(REFER TO LI91 FOR UL RATING)								
15	.75	5	15	6	4	2	10	7
(REFER TO LI92 FOR UL RATING)								

CATALOG LISTING
1TL887 SERIES CHART 1
PAGE 1 OF 1
RELEASE NO PR-14626
REPLACES
ISSUE **M**
5
REVISIONS
A 0077942 JAF 28 JUN 94
B 94431 CS 24 NOV 99
C 0007584 TCC-AP 31 AUG 04
D 0012918 DVM 11 MAY 05
CHECK
11 MAY 05
AK
CHECK
28 JUN 94
RASTER
DRAWN
JAF



NOTES

- SWITCHES ARE CAPABLE OF WITHSTANDING A TEMPERATURE OF 160°F CONTINUOUSLY AT FULL RATED LOAD
 - CIRCUIT DESIGNATION AND MICRO SWITCH CATALOG LISTING **MARKED** ON SIDE OF SWITCH
 - FURNISHED UNASSEMBLED
 - FOR TERMINAL COVER, SEE MICRO SWITCH CATALOG LISTING 5PA7
 - APPLIES ONLY TO "ON" AND "MOMENTARY ON" POSITIONS
 - CONFORMS TO REQUIREMENTS OF MIL-DTL-3950 EXCEPT: GOLD PLATED CONTACTS
- WARNING- THIS PRODUCT IS SUBJECT TO THE U.S. INTERNATIONAL TRAFFIC IN ARMS REGULATIONS (ITAR), AND THE EXPORT CONTROL LAWS OF THE UNITED STATES. TRANSFER OF TECHNICAL DATA PERTAINING TO THIS PRODUCT BY ANY MEANS TO A FOREIGN PERSON PER ITAR DEFINITIONS. WHETHER IN THE UNITED STATES OR ABROAD, WITHOUT A PRIOR EXPORT LICENSE OR OTHER APPROVAL FROM THE U.S. DEPARTMENT OF STATE, IS PROHIBITED.

SCALE FULL
DO NOT SCALE PRINT
UNLESS OTHERWISE NOTED
DIMENSIONS ARE IN INCHES
TOLERANCES ARE
ONE PLACE (.01) .030
TWO PLACE (.00) .015
THREE PLACE (.000) .005
ANGLES .005
WEIGHT 07 LBS APPROX

15A 125, 250, 277 VAC 1/2 HP 125 VAC. 1 HP 250, 277 VAC 5A 125 VAC "L" LI91	10A 125, 250, 277 VAC 1/4 HP 125 VAC, 1/2 HP 250, 277 VAC 3A 125 VAC "L" LI92
RU CE	RU CE