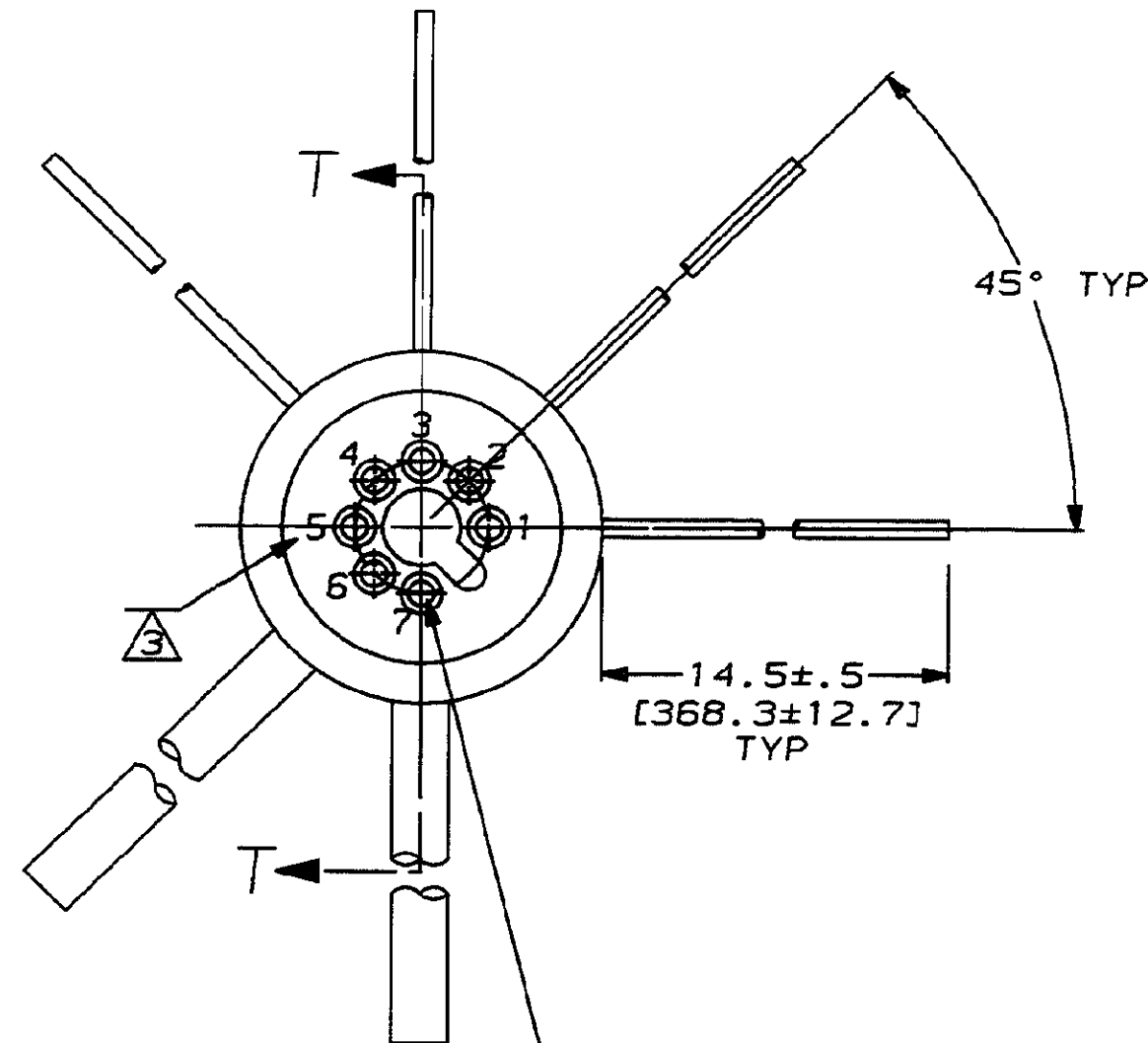
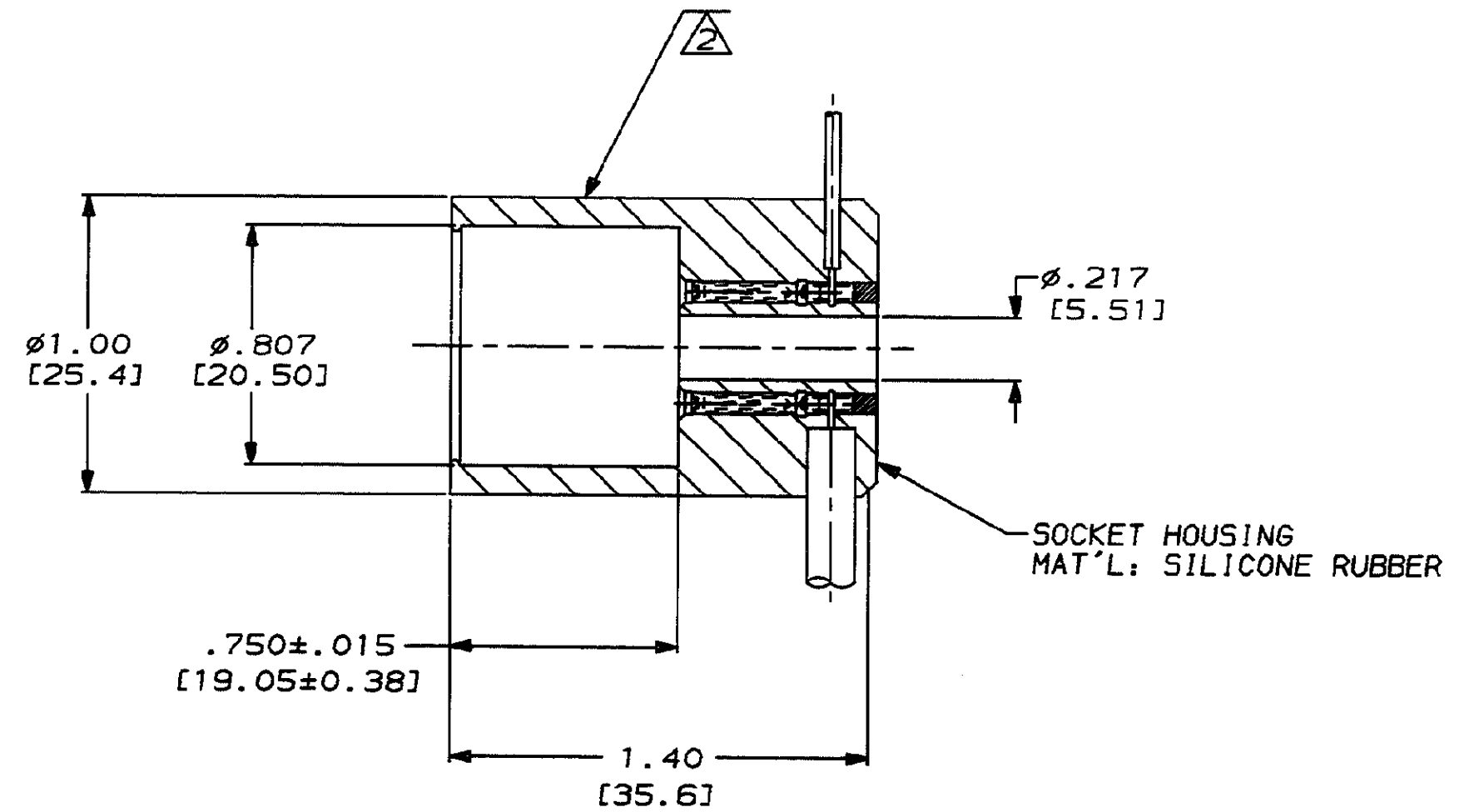


PROG		LOC	DIST			REVISIONS				
4092	DF	50	P	F	ZONE	LTR	DESCRIPTION	DATE	APPD	
						0	RELEASED PER NPR 92-137 CT	5-92	DE	
						A	REVIESED PER DF-6397 CT	7-92	DE	
						B	REVIESED PER DF-6480 CT	7-92	DE	
						C	REVIESED PER DF-6527 CT	7-92	CS	



SOCKET (7)  
 MAT'L: COPPER ALLOY APPROVED  
 PER MIL-C-39029  
 FINISH: GOLD PER MIL-G-45204



SECTION T-T

- ① TEFLON INSULATED WIRE PER MIL-W-16878/5
- ② AMP INFORMATION MARKED PER MIL-STD-130.
- ③ NUMBERS SHOWN FOR REFERANCE ONLY.

448335-1

PART NO.

	7	6	5	4	3	2	1	PIN	COLOR	AWG	INSULATION	O.D.
	BLUE	RED	-	BLACK	BROWN	YELLOW	GREEN			#20 AWG	SILICONE	.161
										#20 AWG	SILICONE	.161
										-	-	-
										#22 AWG	TEFLON ①	.050
										#22 AWG	TEFLON ①	.050
										#22 AWG	TEFLON ①	.050
										#22 AWG	TEFLON ①	.050

THIS DRAWING IS A CONTROLLED DOCUMENT FOR AMP INCORPORATED. IT IS SUBJECT TO CHANGE AND THE CONTROLLING ENGINEERING ORGANIZATION SHOULD BE CONTACTED FOR THE LATEST REVISION.

DO NOT SCALE PRINT. UNLESS SPECIFIED DIMENSIONS IN INCHES [mm] TOLERANCES ON: 2 PLC DEC ± .01 [0.3] 3 PLC DEC ± .005 [0.13] ANGLES ± 0°30'	DR 5-20-92 C.C.THOMAS CHK 5-27-92 D.EABY APPD 5-27-92 D.EABY APPD 5-27-92 C.C.THOMAS PRODUCT SPEC	AMP AMP Incorporated Harrisburg, PA 17105-3608	
MATERIAL SEE CALLOUTS	FINISH SEE CALLOUTS	NAME TUBE BASE, LGH, 7 POSN. EIA E7-91	
	APPLICATION SPEC	SIZE C	CAGE CODE 00779
	WEIGHT	DRAWING NO C-448335	SHEET 1 OF 1
		SCALE 2:1	

CUSTOMER DRAWING