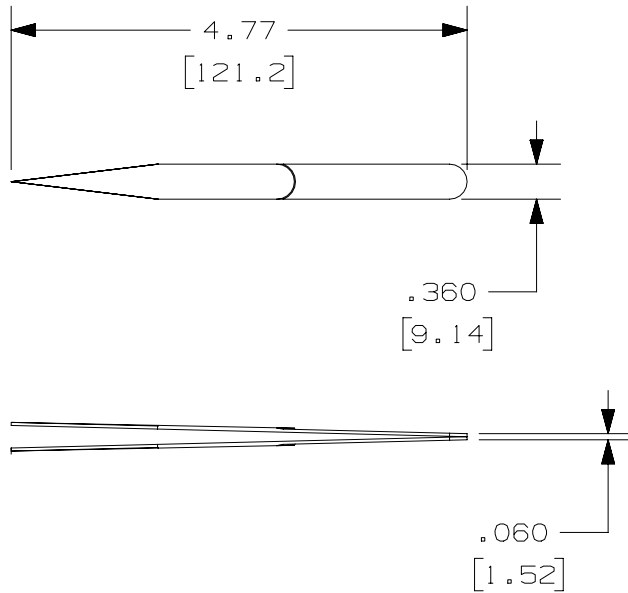


THIS COPY IS PROVIDED ON A RESTRICTED BASIS AND IS NOT TO BE USED IN ANY WAY DETRIMENTAL TO THE INTERESTS OF PANDUIT CORP.

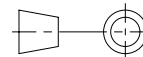


PANDUIT P/N	WEIGHT
FTWZR	.030 LB/EA 13.60 g/EA

NOTES:

1. SEE CURRENT CATALOG FOR ADDITIONAL PART SUFFIXES TO INDICATE PACKAGE QUANTITY.
2. TWEEZERS ARE USED FOR THE HANDLING OF BARE FIBERS.
3. DIMENSIONS IN [ ] ARE IN METRIC.

PART NUMBER		FTWZR	
TITLE			
GLASS OPTIC FIBER FINE POINT TWEEZERS			
CUSTOMER DRAWING			
ITEM REVISION NAME		D35560EQ/00	
DATASET FILE NAME		D35560EQ_DC/00B	
UNLESS OTHERWISE SPECIFIED, DIMENSIONAL TOLERANCES ARE: IN [ mm ]		MATERIAL:	
.x ± .xxx ± .010 [ .3 ]		STAINLESS STEEL	
.xx ± .03 [ .8 ]		DRAWING NUMBER:	
ANGLES ±		35560-94	
THIRD ANGLE PROJECTION		SHT 1 OF 1	
DRAWN BY	DATE	CHK	SCALE
JBA	07-01-97	CEF	NONE
REV	DATE	BY	CHK
2	3/3/15	JSP	WJM
		RWB	
DESCRIPTION		ECN	
A. UPDATED DRAWING TITLE BLOCK.		35560-94	



D10100DA/14

2

1

2

1