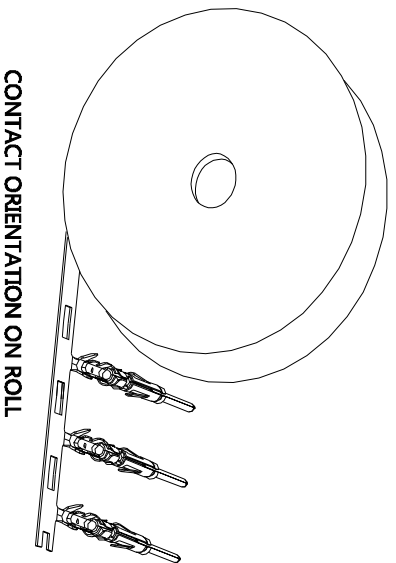


REVISIONS				
REV	ECO	DESCRIPTION	DATE	BY APPR
B1	-	RELEASED DRAWING	AUG-18-2014	BEN TOMMY

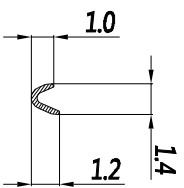


CONTACT ORIENTATION ON ROLL

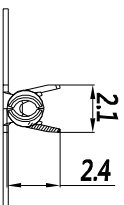
NOTES : (UNLESS OTHERWISE SPECIFIED)

1. MATERIAL :
 - 1.1. CONTACT BODY : COPPER ALLOY.
 - 1.2. OUTER SPRING : STAINLESS STEEL.
2. SPECIFICATIONS :
 - 2.1 CURRENT RATING : 5A MAX.
 - 2.2 TERMINATION TYPE : CRIMPING.
 - 2.3 WIRE RANGE : 30~28AWG.
 - 2.4 WIRE INSULATION DIA(MAX) : $\varnothing 2.6\text{mm}$.
3. ROHS COMPLIANT.
4. ALL DIMENSIONS ARE FOR REFERENCE USE ONLY.
5. AVAILABLE TOOLS :
 - 5.1 HAND CRIMPER : MFX-3954.
 - 5.2 CRIMP APPLICATOR : MFX-3957.
 - 5.3 EXTRACTION TOOL : QXRT20.

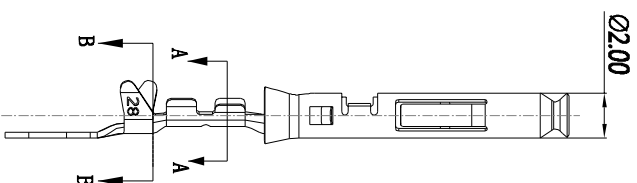
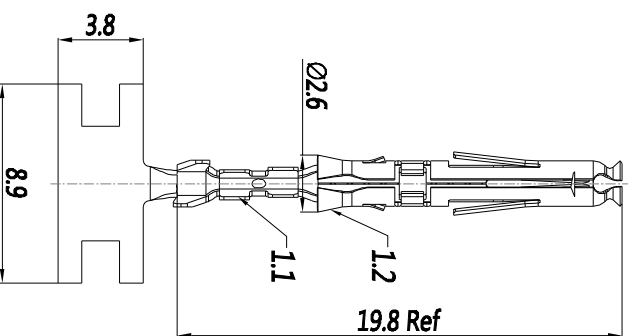
P/N	CONTACT PLATING(MATING AREA)
SS28W1T	TIN PLATING OVER NICKEL
SS28W1F	GOLD FLASH PLATING OVER NICKEL
SS28W1G5	5 μ GOLD PLATING OVER NICKEL
SS28W1G10	10 μ GOLD PLATING OVER NICKEL
SS28W1G15	15 μ GOLD PLATING OVER NICKEL
SS28W1G30	30 μ GOLD PLATING OVER NICKEL



SECTION A-A



SECTION B-B



QUANTITY	PART NUMBER	DESCRIPTION	ITER
MATERIALS LIST			

UNLESS OTHERWISE SPECIFIED	SIGNATURES	DATE	ITER
1) All dimensions are in millimeters.	DRAWN: BEN	11/27/11	
2) Tolerances are as follows:	CHECKED:		
1 Pl. DEC 20 20	ENGINEER:		
2 Pl. DEC 20 20	APPROVAL:		
3 Pl. DEC 20 20	CUSTOMER:		
3) Note reference =			

PROCESS SPECIFICATIONS:	THIS DRAWING IS SUPPLIED FOR SPECIFICATIONS AND PERFORMANCE DATA. THE DRAWING DOES NOT PROVIDE ALL INFORMATION NECESSARY FOR REPRODUCTION AND ALL RIGHTS OF REPRODUCTION ARE RESERVED. ALL MANUFACTURING VARIATION.
MATERIAL SPECIFICATIONS:	ECO-MATE SOCKET, STAMPED, 30-28AWG, SIZE 20.

SIZE	TYPE	DWG NO.	REVISION
B	C-	SS28W1XX	B1
SCALE	NONE	SHEET	1 OF 1

Amphenol

Sine Systems - www.amphenol-sine.com
44724 Morley Drive
Clinton Township, MI 48038

ECO-MATE SOCKET,
STAMPED, 30-28AWG, SIZE 20.

FILE:

ECO-MATE SOCKET STAMPED, 30-28AWG, SIZE 20.

DWG NO:

SS28W1XX

REV: B1

SH: 1

OF: 1