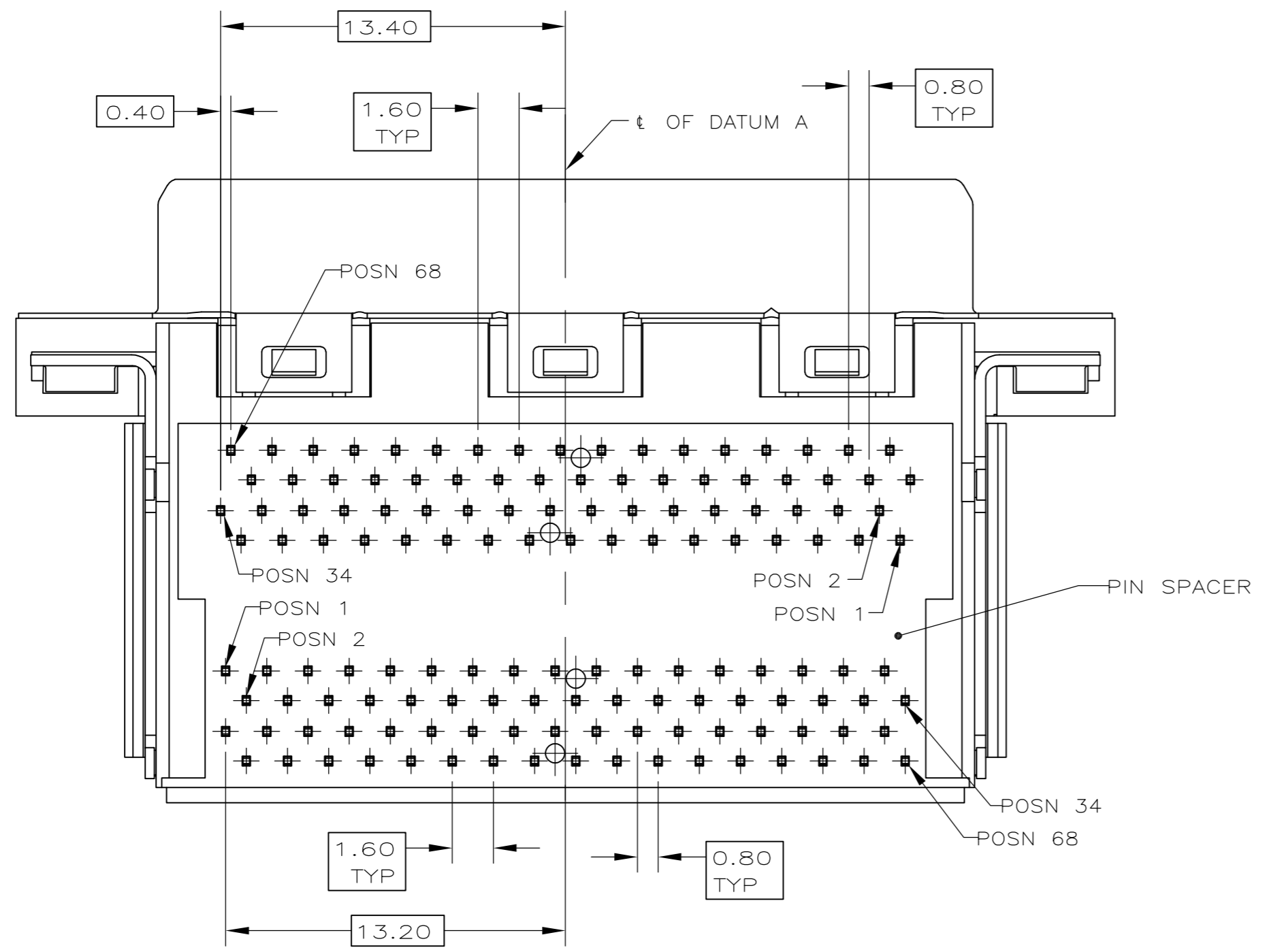
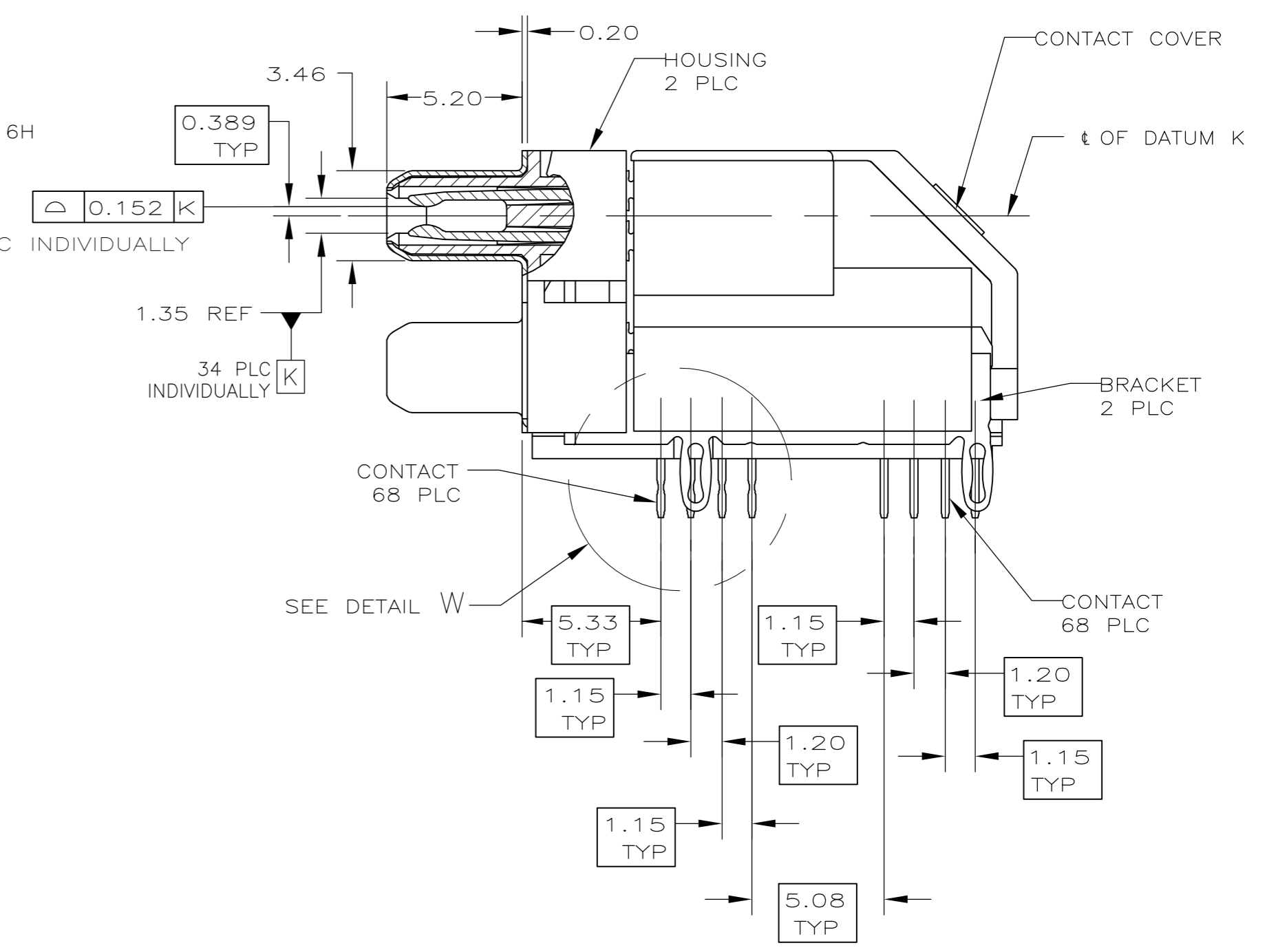
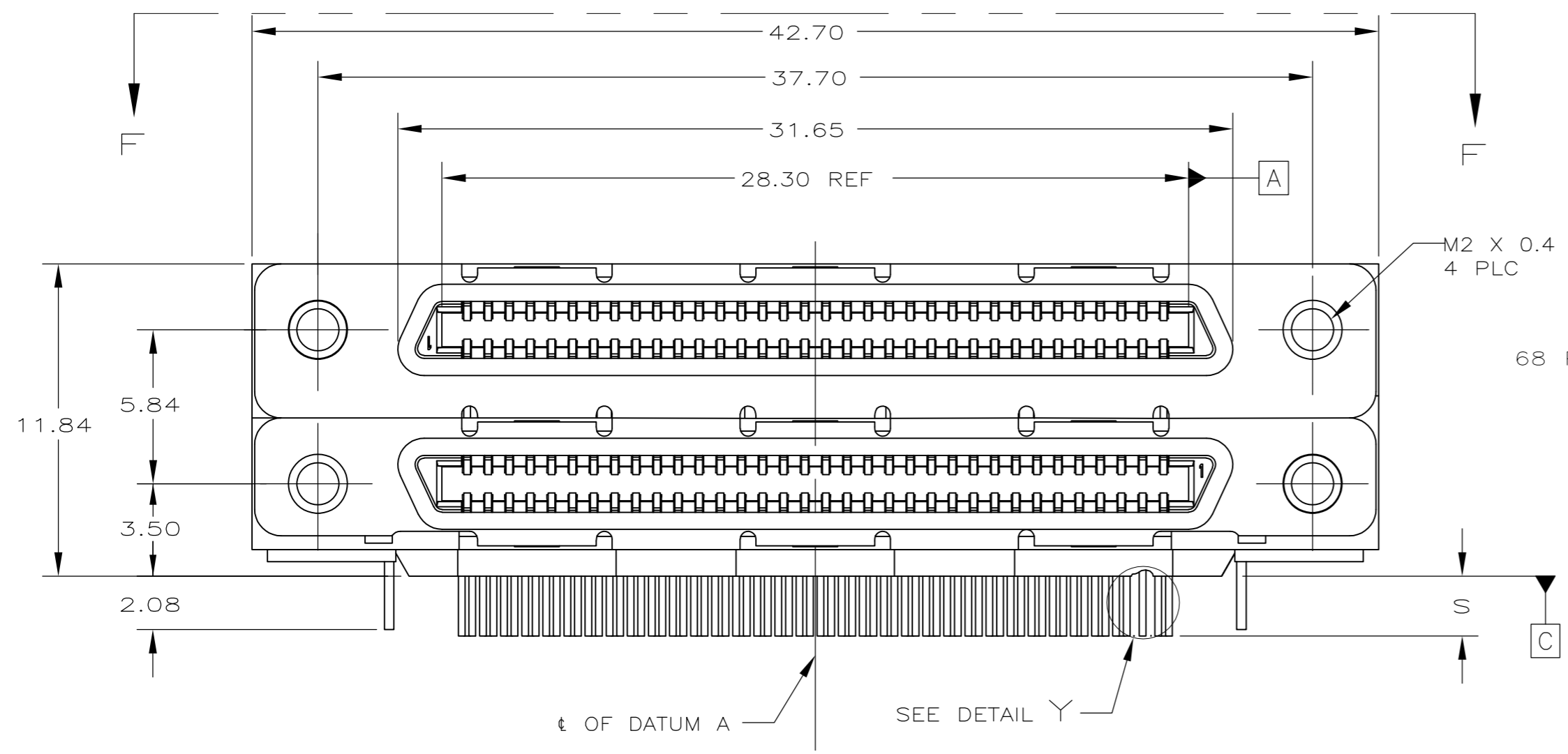


THIS DRAWING IS UNPUBLISHED. RELEASED FOR PUBLICATION  
 © COPYRIGHT - By - ALL RIGHTS RESERVED.

LOC		DIST		REVISIONS			
P	LTR	DESCRIPTION		DATE	DWN	APVD	
GP	00	A	REVISED PER ECO-12-014361		08JAN2013	CJV	EDB



OBsolete	3.55	8	6489232-2
	2.27	3	6489232-1
S	REMARKS		PART NUMBER

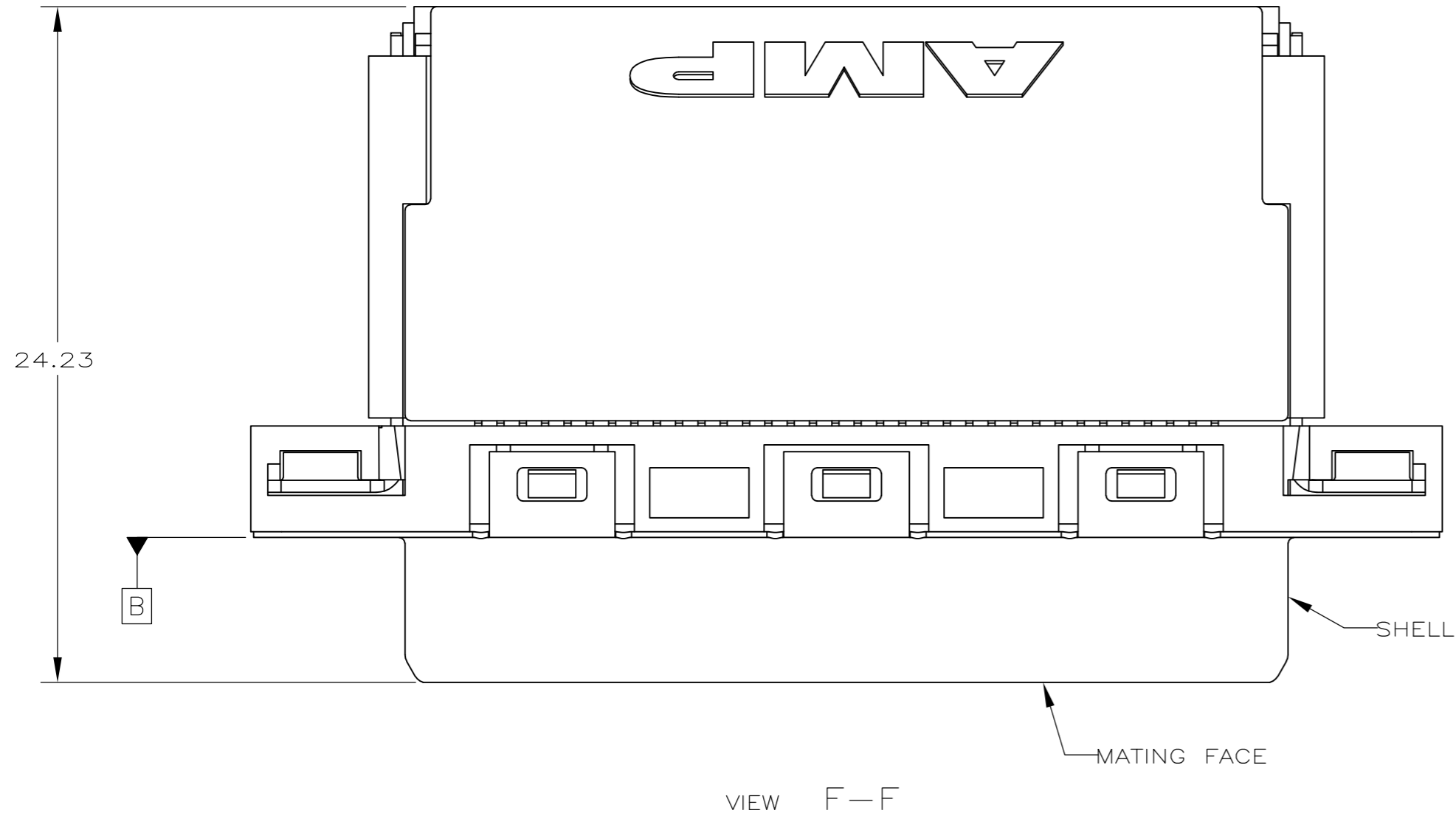
THIS DRAWING IS A CONTROLLED DOCUMENT. DIMENSIONING AND TOLERANCING PER ASME Y14.5M-2009

DIMENSIONS: mm	TOLERANCES UNLESS OTHERWISE SPECIFIED:	DWN J. ALCORTA - DOCK5 08-03-05	NAME
	0 PLC ± -	CHK S. SHUEY 08-03-05	TE Connectivity
	1 PLC ± -	APVD M. WALMSLEY 08-03-05	RECEPTACLE ASSEMBLY, 68 POSITION, STACKED, COVERED
	2 PLC ± 0.13	PRODUCT SPEC	CONTACTS, RIGHT ANGLE, CHAMP 0.8 mm
	3 PLC ± -	APPLICATION SPEC	SIZE A2 CAGE CODE 00779 DRAWING NO C=6489232
	4 PLC ± -	WEIGHT -	RESTRICTED TO -
	ANGLES ± 1°	CUSTOMER DRAWING	SCALE 5:1 SHEET 1 of 3 REV A
MATERIAL 1	FINISH 2		

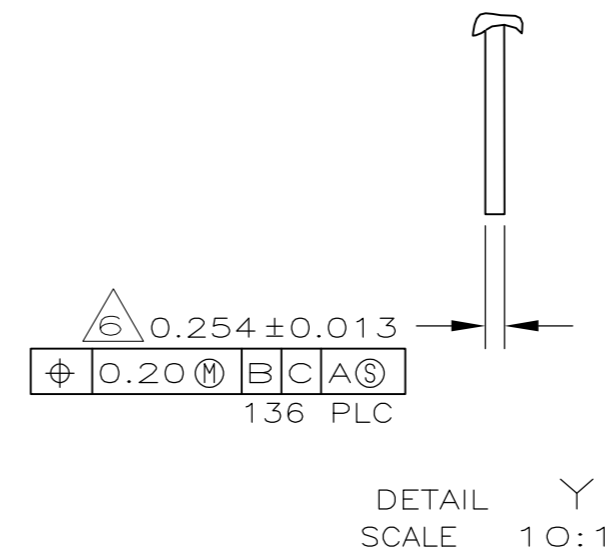
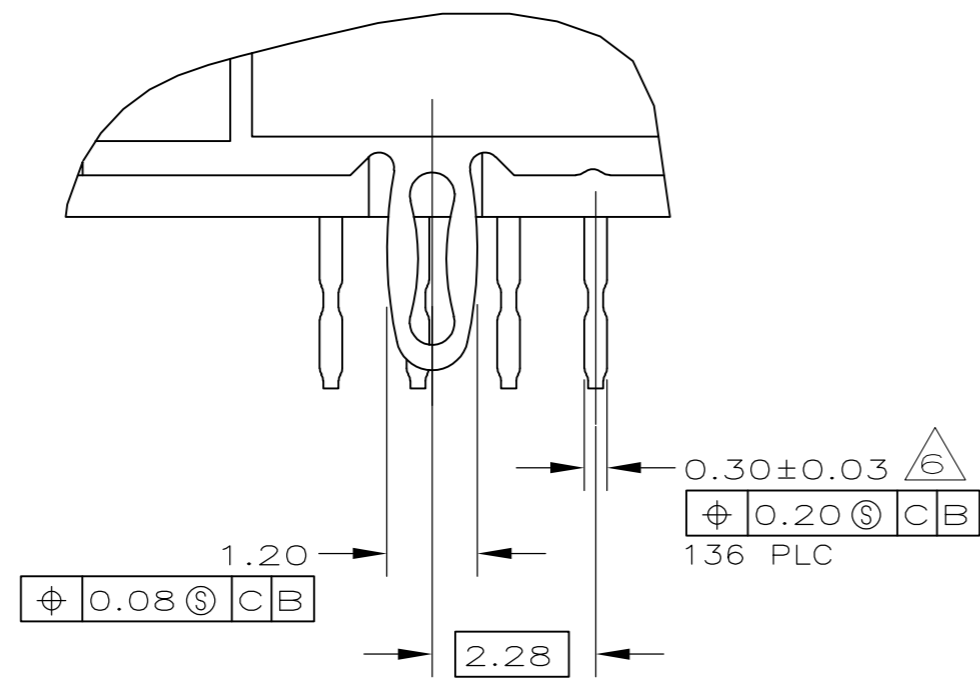
**COPYRIGHT 2005 TYCO ELECTRONICS CORP ALL RIGHTS RESERVED**

THIS DRAWING IS UNPUBLISHED. RELEASED FOR PUBLICATION  
 © COPYRIGHT - By - ALL RIGHTS RESERVED.

LOC		DIST		REVISIONS			
P	LTR	DESCRIPTION	DATE	DWN	APVD		
GP	00	SEE SHEET 1	-	-	-		



- 1 MOLDED PARTS: THERMOPLASTIC, BLACK, UL 94V-0 RATED.  
SHELL: CARBON STEEL.  
CONTACTS: PHOSPHOR BRONZE.  
BRACKETS: STEEL.
- 2 SHELL: 5.08µm MIN NICKEL OVER 6.35µm MIN COPPER.  
CONTACTS: 0.076µm MIN GOLD ON MATING END, 3.75µm MIN TIN ON OPPOSITE END, BOTH OVER 1.27µm MIN NICKEL.  
BRACKETS: TIN PLATED.
- 3 CONTACTS DESIGNED FOR USE ON 1.60±0.15 THICK PC BOARD WITH PLATED THRU MOUNTING HOLES.
- 4 RECEPTACLE ASSEMBLY DESIGNED FOR USE WITH 1.12±0.08 THICK PANEL.
- 5 DATUMS AND DIMENSIONS ESTABLISHED BY CUSTOMER.
- 6 POSITION TOLERANCE APPLIES AT CONTACT TIP ONLY.
- 7 OFFSET DIMENSION APPLIES TO LOWER FOOTPRINT ONLY.
- 8 CONTACTS DESIGNED FOR USE ON 2.35±0.15 THICK PC BOARD WITH PLATED THRU MOUNTING HOLES.

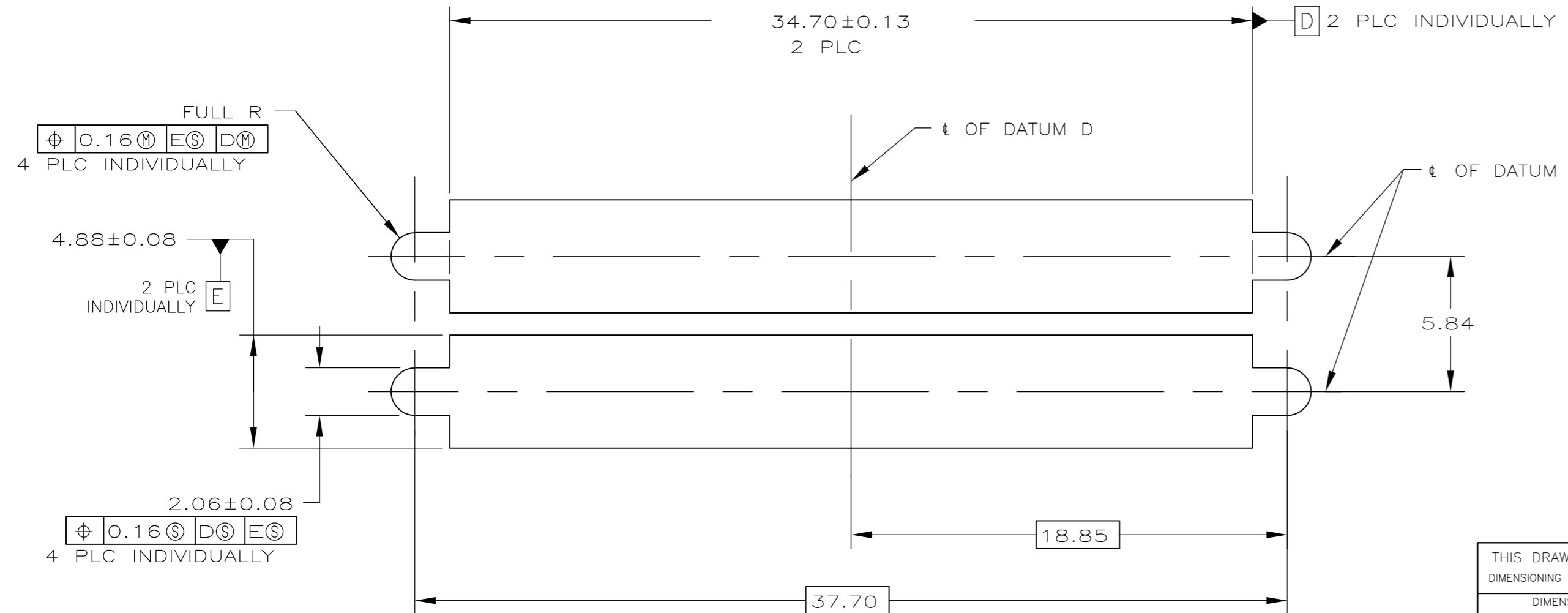
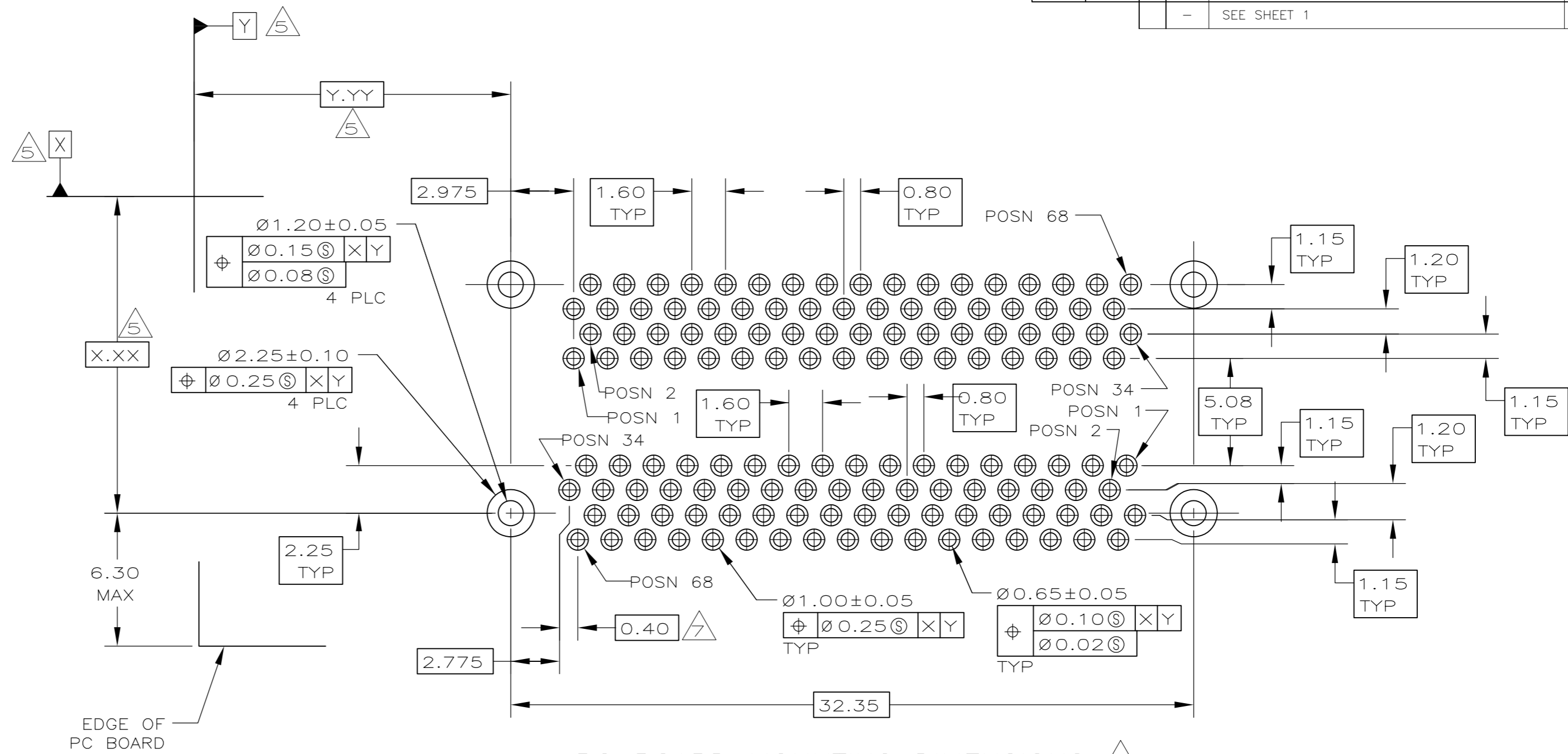


**COPYRIGHT 2005  
 TYCO ELECTRONICS CORP  
 ALL RIGHTS RESERVED**

THIS DRAWING IS A CONTROLLED DOCUMENT. DIMENSIONING AND TOLERANCING PER ASME Y14.5M-2009		DWN J. ALCORTA - DOCK5 08-03-05	TE Connectivity	
DIMENSIONS: mm		CHK S. SHUEY 08-03-05	NAME RECEPTACLE ASSEMBLY, 68 POSITION, STACKED, COVERED CONTACTS, RIGHT ANGLE, CHAMP 0.8mm	
TOLERANCES UNLESS OTHERWISE SPECIFIED: 0 PLC ± - 1 PLC ± - 2 PLC ± 0.13 3 PLC ± - 4 PLC ± - ANGLES ± 1°		APVD M. WALMSLEY 08-03-05	DRAWING NO A2 00779 C-6489232	
MATERIAL -		FINISH -	WEIGHT -	RESTRICTED TO -
CUSTOMER DRAWING			SCALE 5:1	SHEET 2 of 3
			REV A	

THIS DRAWING IS UNPUBLISHED.  
 RELEASED FOR PUBLICATION  
 © COPYRIGHT - By - ALL RIGHTS RESERVED.

LOC		DIST		REVISIONS				
GP	00	P	LTR	DESCRIPTION	DATE	DWN	APVD	
		-	-	SEE SHEET 1	-	-	-	



**COPYRIGHT 2005**  
**TYCO ELECTRONICS CORP**  
**ALL RIGHTS RESERVED**

THIS DRAWING IS A CONTROLLED DOCUMENT. DIMENSIONING AND TOLERANCING PER ASME Y14.5M-2009		DWN J. ALCORTA - 08-03-05 DOCK5	TE Connectivity
DIMENSIONS: mm		CHK S. SHUEY 08-03-05	
TOLERANCES UNLESS OTHERWISE SPECIFIED:		APVD M. WALMSLEY 08-03-05	NAME RECEPTACLE ASSEMBLY, 68 POSITION, STACKED, COVERED, CONTACTS, RIGHT ANGLE, CHAMP 0.8mm
0 PLC ± - 1 PLC ± - 2 PLC ± 0.13 3 PLC ± - 4 PLC ± - ANGLES ± 1°		PRODUCT SPEC	
MATERIAL - FINISH -		APPLICATION SPEC	SIZE A2 CAGE CODE 00779 DRAWING NO C=6489232 RESTRICTED TO -
		WEIGHT -	SCALE 6:1 SHEET 3 OF 3 REV A
		CUSTOMER DRAWING	