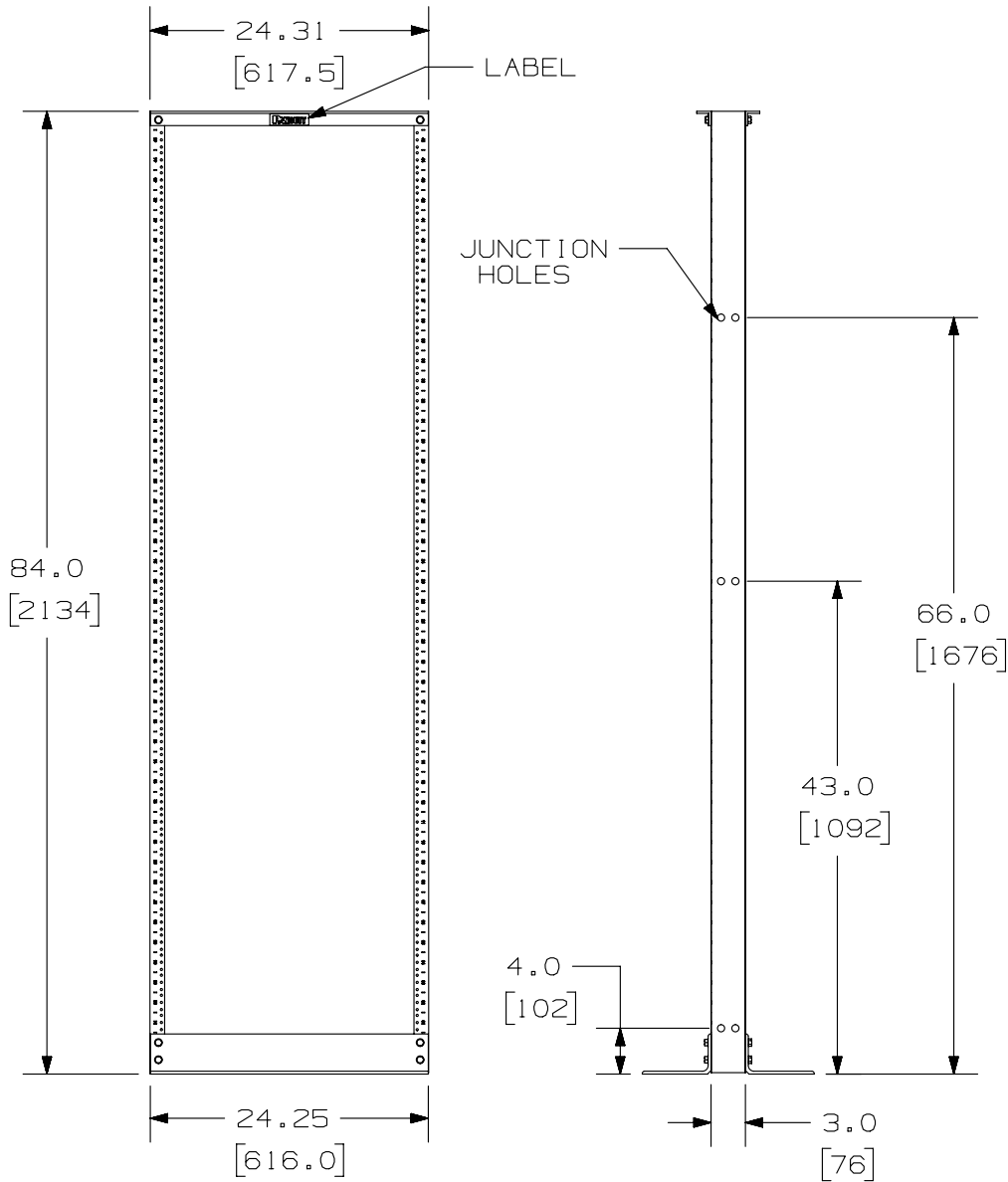


THIS COPY IS PROVIDED ON A RESTRICTED BASIS AND IS NOT TO BE USED IN ANY WAY DETRIMENTAL TO THE INTERESTS OF PANDUIT CORP.



PANDUIT P/N	WEIGHT
R2PW	31.0 LB/EACH (14.1 KG/EACH)

NOTES:

- CAN BE USED WITH ANY INDUSTRY STANDARD 23" COMPONENTS IN ADDITION TO ALL PANDUIT CABLE MANAGEMENT AND PATCH PANEL PRODUCTS.
- WILL HOLD UP TO 45 SINGLE RACK SPACINGS.
- EIA SPACING ON RACK: I.E., REF. HOLE SPACING ON UPRIGHT CHANNELS: .625, .625, .500, .625, .625, .500, ETC.
- ASSEMBLY IS REQUIRED.
- RACK PART THICKNESSES:
 - UPRIGHT CHANNELS: WEB; .14 ±.03
FLANGE; .19 ±.03
 - TOP BRACKET: .19 ±.03
 - BASE BRACKET: .25 ±.03
- DIMENSIONS IN PARENTHESES ARE IN METRIC.
- ALL ASSEMBLY HARDWARE INCLUDED:
 - (12) 3/8-16 X 1" BLACK HEX HEAD CAP SCREW
 - (12) 3/8" PAINT PIERCING GROUNDING WASHER
 - (1) TUBE OF ANTI-OXIDIZING PASTE
 - (24) 12-24 X .5" SLOTTED PAN HEAD STEEL SCREWS
 - (12) 3/8-16 BLACK HEX NUTS
- LOAD RATING-1000 LBS.
- RU SPACING NUMBERS ARE CLEARLY PRINTED ON MOUNTING RAILS. RU NUMBERING IS BOTTOM-UP, WITH RU #1 AT BOTTOM AND RU #45 AT TOP.

TITLE					
23" WIDE 7' CABLE MANAGEMENT RACK (R2PW)					
CUSTOMER DRAWING					
ITEM REVISION NAME	09V064AF/01				
DATASET FILE NAME	09V064AF_DC/01A				
UNLESS OTHERWISE SPECIFIED, DIMENSIONAL TOLERANCES ARE: IN (mm)	PANDUIT				
.X ± .XX ±					
.XXX ± ANGLES ±	MATERIAL: ALUMINUM				
 THIRD ANGLE PROJECTION	DRAWING NUMBER: 09V064AF - DC				
DRAWN BY BAME	DATE 6-1-10	CHK DPN	SCALE NONE	SHT 1 OF 1	SIZE A

REV	DATE	BY	CHK	APR	DESCRIPTION	ECN
01A	11-14-13	BAME	PM	CMK	UPDATED VIEWS	09V064AF-DC
00A	6-1-10	BAME	DPN	CMK	DRAWING RELEASED	09V064AF-DC

D10100DA/16