

LOC AI	DIST 00	REVISIONS				
P	LTR	DESCRIPTION	DATE	DWN	APVD	
B		ECR-16-009610	04 JUL16	LS	GS	

# STRIP TOOL, AWG 28-10



Für Querschnitte /  
For cross section  
0.08mm<sup>2</sup> - 6.0mm<sup>2</sup> / AWG 28 - 10



Abmessungen / Dimension  
Länge/Length: 193 mm  
Breite/Width: 103 mm  
Tiefe/Depth: 17 mm

Bedienungsanleitung /  
Operating instructions  
408-8907


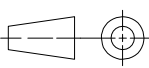
RELEASED FOR PUBLICATION

ALL INTERNATIONAL RIGHTS RESERVED.

BY TYCO ELECTRONICS CORPORATION.

THIS DRAWING IS UNPUBLISHED.

© COPYRIGHT

DIMENSIONS: mm	DWN L.Sandhu	06DEC2010	MATERIAL	FINISH
	CHK L.Sandhu	06DEC2010	 TE Connectivity	
TOLERANCES UNLESS OTHERWISE SPECIFIED:	APVD L.Sandhu	06DEC2010		
	0 PLC ± -	PRODUCT SPEC	Abisolierwerkzeug	SIZE
1 PLC ± -	APPLICATION SPEC	WEIGHT	CAGE CODE	00779
2 PLC ± -		CUSTOMER DRAWING	DRAWING NO	734185-1
3 PLC ± -			RESTRICTED TO	
4 PLC ± -			SCALE	
ANGLES ± -			SHEET	1 OF 1
			REV	B