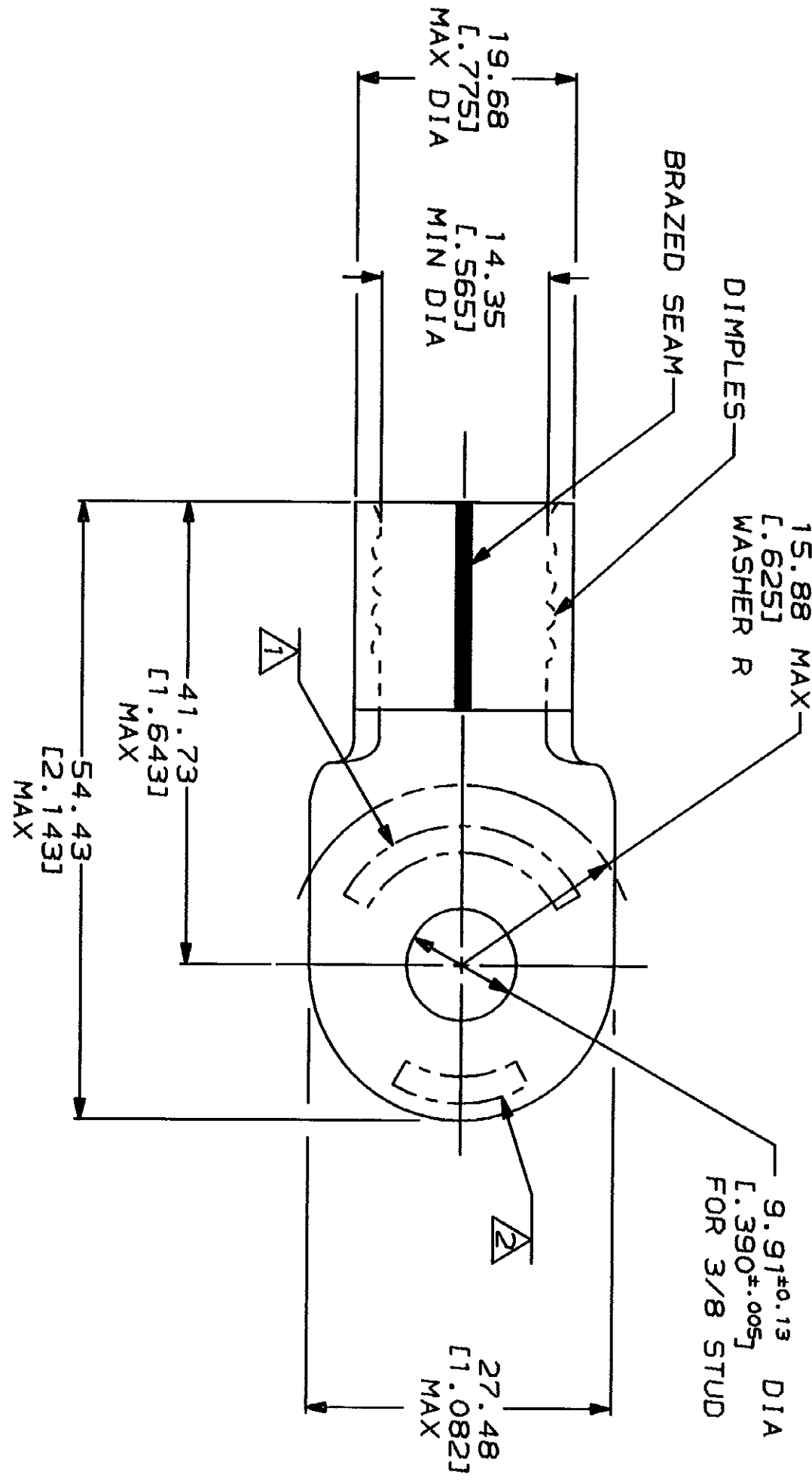
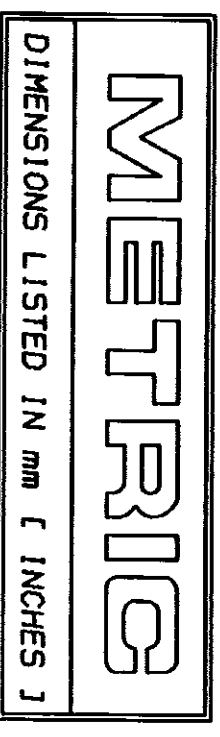


AMP	MATERIAL	PKG TYPE	QTY
8-36927-3	M/F 8-36927-0	BOX	25

THIS DRAWING IS UNPUBLISHED. RELEASED FOR PUBLICATION BY AMP INCORPORATED. ALL INTERNATIONAL RIGHTS RESERVED.

LOC	DIST	ZONE	LTR	REVISIONS	DESCRIPTION	DATE	APPD
G	14						
					REVISED & REDRAWN PER 0720-0037-93	5/20/93	PER



<b>AMP</b> WIRE RANGE	<b>UL</b> E13288 Listed
3/0 AWG SOLID OR STRANDED	3/0 AWG SOLID OR STRANDED
<b>UL</b> LR7189 Certified	MILITARY P/N AND CLASS
3/0 AWG SOLID OR STRANDED	NOT APPLICABLE

- 1 STAMP AMP 3/0W\* APPROX AS SHOWN
- 2 STAMP 150 APPROX AS SHOWN
- 3 TONGUE MATERIAL THK: 2.31±0.08 [L.091 ±.003]

**AMP INCORPORATED**  
**CUSTOMER SERVICE SYSTEMS**

MAX RECOMMENDED OPERATING TEMPERATURE: 170°C MAX

FOR ADDITIONAL PRODUCT INFORMATION OR COPIES OF DRAWINGS AND TECHNICAL DOCUMENTS

VOLTAGE RATING: NOT APPLICABLE

FOR APPLICATION TOOLING INFORMATION

CIRCULAR MIL AREA: 76.3-96.3mm² (150,000-190,000) CIR MILS SOLID OR STRANDED

FOR ORDER ENTRY

FINISH: TIN PLATE

DO NOT SCALE PRINT. UNLESS SPECIFIED DIMENSIONS IN mm (INCHES) TOLERANCES ON: 2 PLG DEC ± 0.20(0.008) 3 PLG DEC ± . . . ANGLES MATERIAL COPPER ASTM B-152 ANNEALED

DR 5/20/93 DK SCHRUM	DR 5/20/93
CHK 1/27/94 RD HEIM	CHK 1/27/94
APPD 1/27/94 RE ROSER	APPD 1/27/94
APPD 1/27/94 JL HECKLEY	APPD 1/27/94

NAME	AMP	AMP Incorporated
ADDRESS	Harrisburg, PA 17105-3608	
TERMINAL, RING TONGUE, SOLISTRAND™		
SIZE	CAGE CODE	DRAWING NO
SCALE 2:1	00779	G-36927
WEIGHT		

CUSTOMER DRAWING