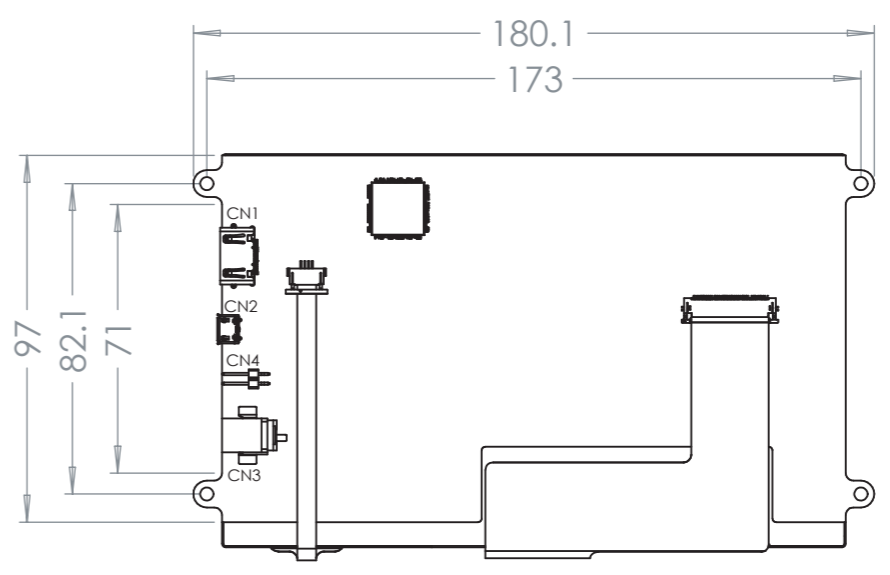
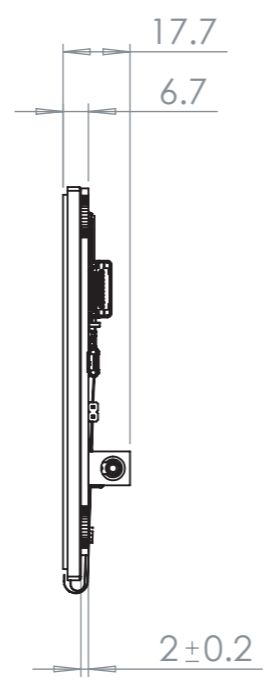
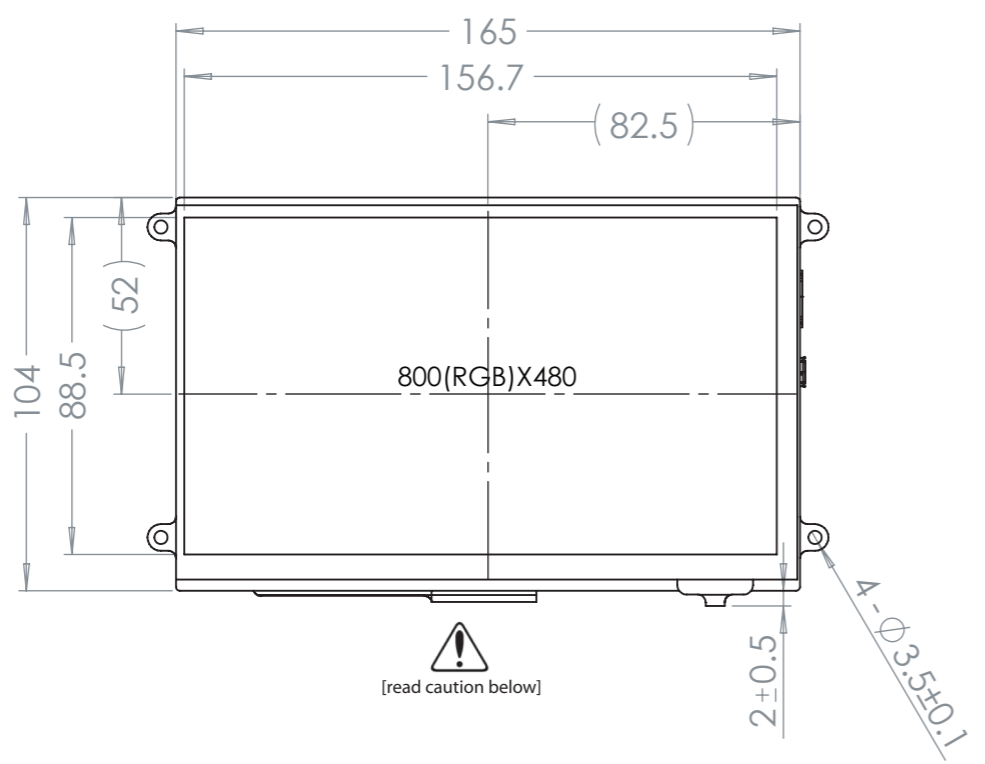


1	2	3	4	5	6	7	8	
				SYMBOL	REVISION			DATE



- NOTES:
1. 7.0" Sunlight Readable HDMI TFT Module w/ USB-HID Resistive Touch
  2. On-board Texas Instruments TFP401A HDMI/DVI Receiver
  3. Optimal Viewing Direction: 12:00
  4. Display Mode: Transmissive / Normally White / Anti-Glare
  5. Luminance: 780 cd/m<sup>2</sup>
  6. 3M Brightness Enhancement Film
  7. Touch Panel: Resistive
  8. On-board Texas Instruments TPS61165 High Brightness LED Driver w/ PWM

Improper handling of the FPC connections at the bottom edge of this module may cause damage resulting in display or touch failure. Take special care when handling this area of the display module to make sure these connections are never strained nor creased.

STANDARD TOLERANCES (UNLESS OTHERWISE SPECIFIED)			
LINEAR: ± 0.3mm	DRAWING/PART NUMBER: <b>NHD-7.0-HDMI-N-RSXN-RTU</b>		REVISION: 1.1
UNLESS OTHERWISE SPECIFIED	DRAWN BY: N. Patel	CHECKED BY: P. Bartek	APPROVED BY: M. LaVine
- DIMENSIONS ARE IN MILLIMETERS	DRAWN DATE: 8/25/17	CHECKED DATE: 8/28/17	APPROVED DATE: 8/29/17
- THIRD ANGLE PROJECTION	DO NOT SCALE DRAWING		SCALE: 1:2
THIS DRAWING IS SOLELY THE PROPERTY OF NEWHAVEN DISPLAY INTERNATIONAL, INC. THE INFORMATION IT CONTAINS IS NOT TO BE DISCLOSED, REPRODUCED OR COPIED IN WHOLE OR PART WITHOUT WRITTEN APPROVAL FROM NEWHAVEN DISPLAY.			SHEET 1 OF 1