

LX2206 DUAL LEVEL BATTERY CHARGER

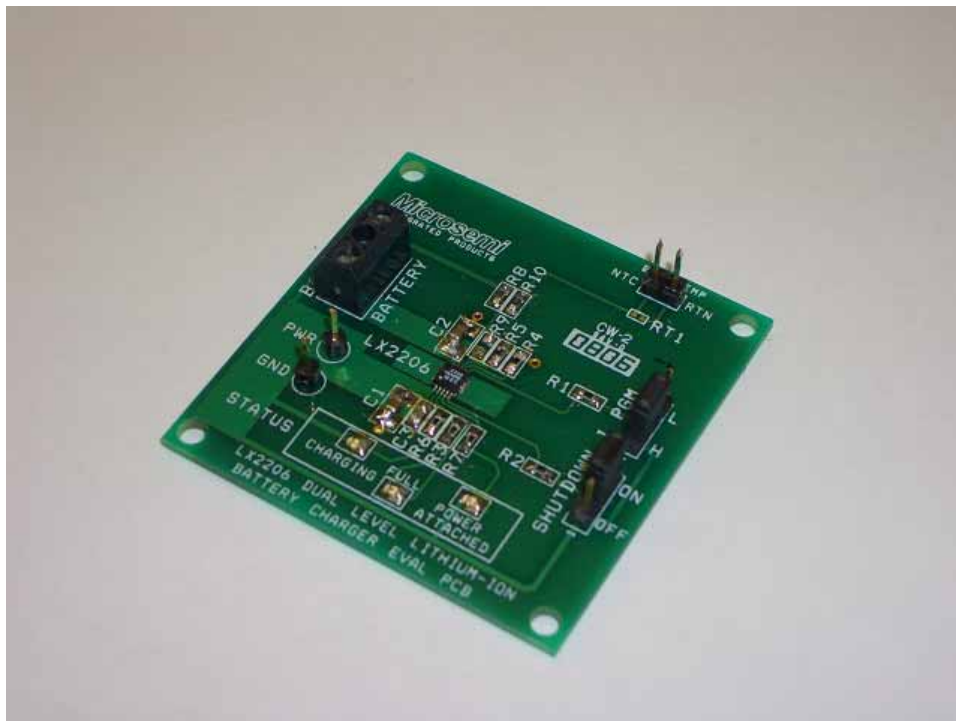


TABLE OF CONTENTS

Introduction 3
Schematic 4
IC Block Diagram 5
Evaluation Board Connections..... 6
Typical Test Hookup 7
PCB Layout Recommendations..... 7
Evaluation Board Layout..... 8
Evaluation Board Bill of Materials 9

INTRODUCTION TO PRODUCT

The LX2206 Evaluation Board is available from Microsemi for evaluating the performance of the LX2206 Battery Charger integrated circuit. The component sizes used on the evaluation board facilitate easy probing, however, in practice, smaller component sizes are recommended to minimize the circuit physical size.

KEY FEATURES

- Two independent programmable charge currents
- 0.5% Float voltage tolerance
- Charging up to 750mA.
- Charging from USB port.
- USB current compliance
- Full battery Indicator
- CC/CV w thermal Feedback
- Battery temp monitor
- Precision charge termination
- Power Good Indicator

APPLICATIONS

- MP3 player
- PDA
- PMC
- Digital Camera
- Charge cradle

PART SPECIFIC INFORMATION

Part Number	Product
LX2206ILD	Dual Level Lithium Ion Battery Charger

TABLE 1 – PART INFORMATION

IC	EVALUATION BOARDS
LX2206ILD	LX2206 EVAL KIT

TABLE 2 – EVALUATION BOARD INFORMATION

SCHEMATIC FOR LX2206 EVALUATION BOARD

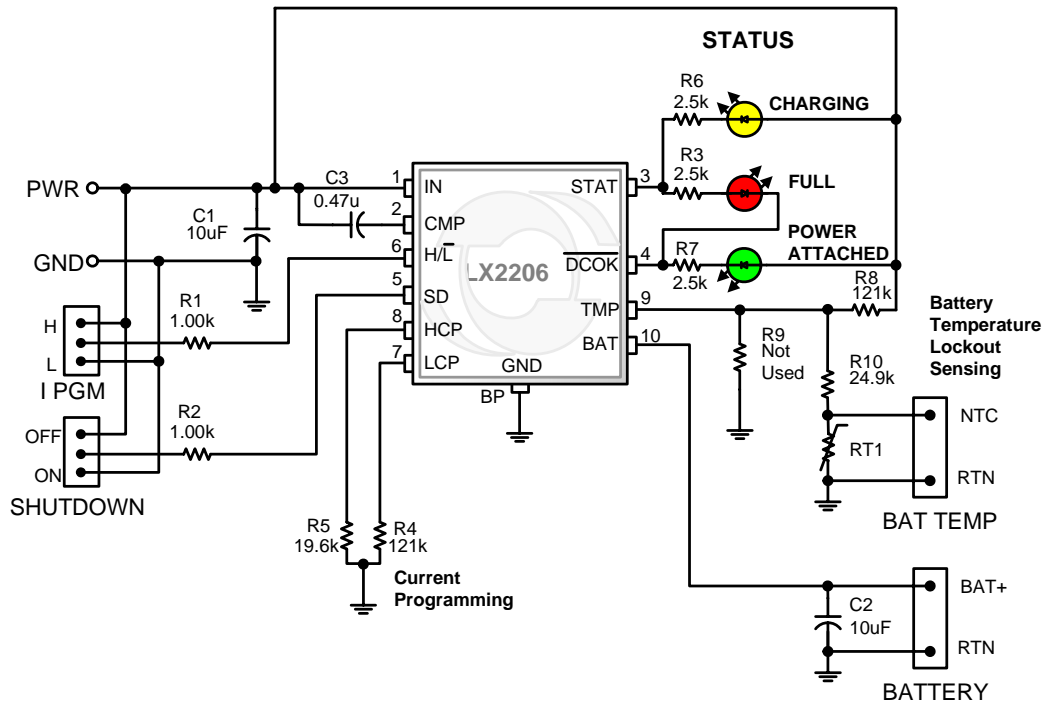


Figure 1 – LX2206 Evaluation Board Schematic

BLOCK DIAGRAM

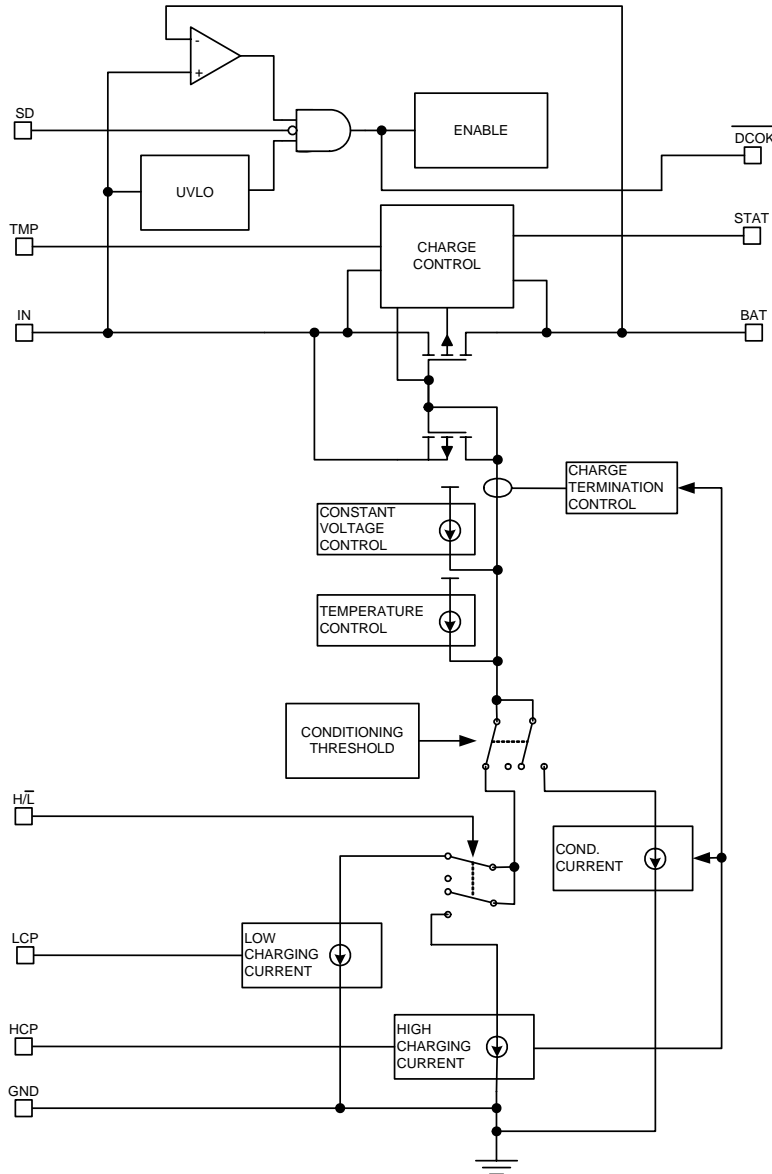


Figure 2 – Simplified Block Diagram

LX2206 EVAL CONNECTIONS

Connections: The LX2206 Evaluation Board has one power input and one power output connection.

FUNCTION	PIN NAME	VOLTAGE
Input Power	PWR	5V +/- 0.65V
Input RTN	GND	0V
Battery +	BAT+	0V to 4.3V
Battery -	RTN	0V

Jumpers: The LX2206 Evaluation Board has two position jumper blocks. The jumper can be moved to select either a high logic level or low logic level. It is also possible to remove the jumper and apply a voltage directly to the center pin of the jumper block.

Hookup: The following is a demonstration scenario that can be used to evaluate the LX2206.

- 1) Apply the single cell Lithium Ion or Lithium polymer battery to the battery screw terminal block. Be sure to connect the positive terminal of the battery to the BAT+ terminal

and the Negative terminal to the RTN terminal.

- 2) Apply a +5V power source to the PWR terminal and the power supply return to the GND terminal.
- 3) Move the SHUTDOWN jumper to the ON position.
- 4) The POWER ATTACHED and CHARGING LEDs should be lit when the battery is charging and the POWER ATTACHED and FULL LEDs should be lit when the battery is fully charged.
- 5) Monitor the charge current into the battery with a current probe.
- 6) Verify that the current changes levels between approximately 92mA and 460mA when the I PGM jumper is moved between its two positions.
- 7) Verify that moving the SHUTDOWN battery to the OFF position extinguishes the LEDs and terminates the charge cycle.
- 8) The thermal lockout can be tested by removing RT1 and replacing it with a variable resistor to simulate the resistance of RT1 under extreme hot and cold conditions.

LX2206 TYPICAL TEST HOOKUP

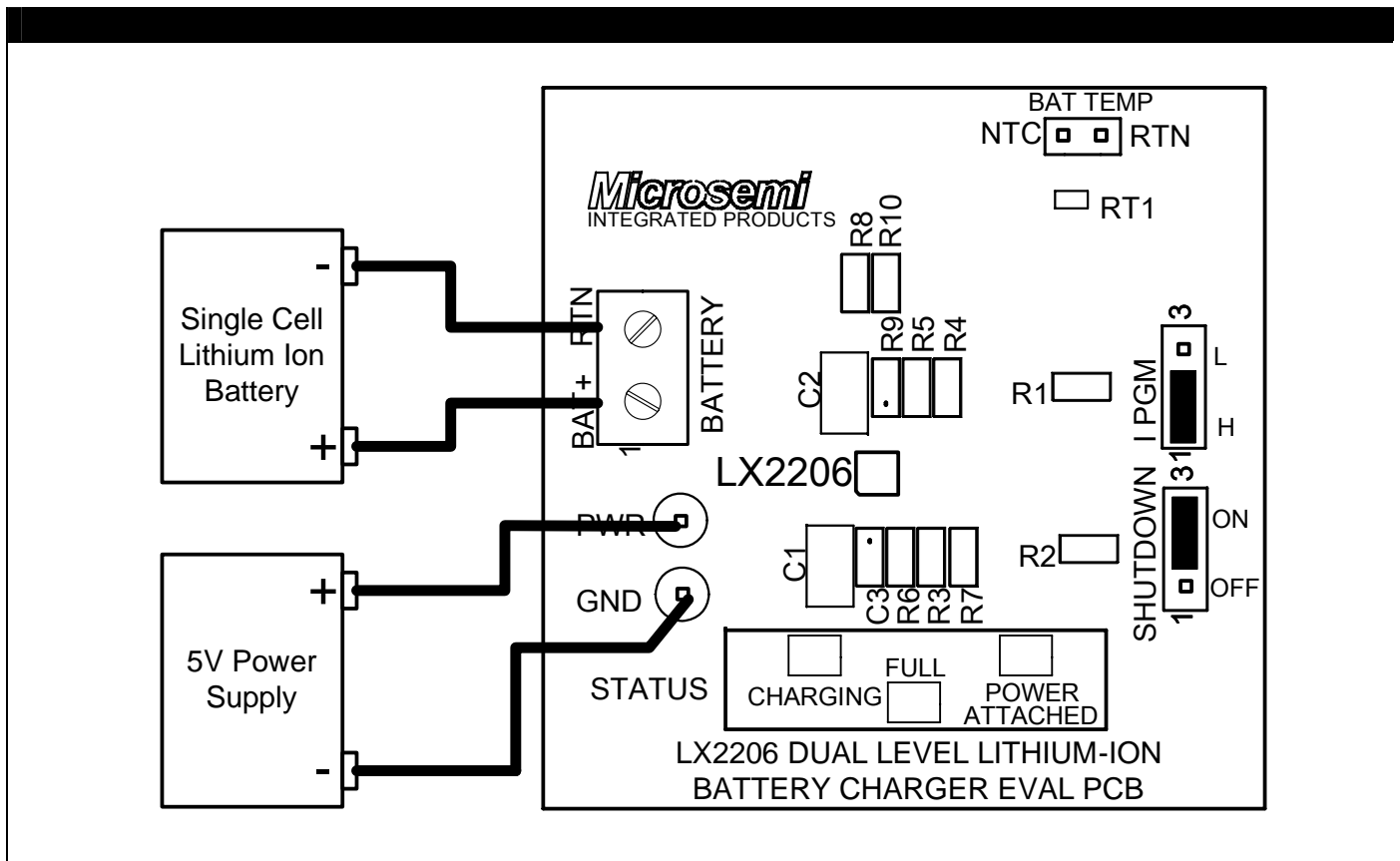


Figure 3 – LX2206 Typical Test Hookup

PCB LAYOUT RECOMMENDATIONS

It is recommended that C1 and C2 be located within 1cm of the LX2206. The CMP capacitor should be located close to the IN and CMP pins. Also the high impedance summing node connecting to the TMP pin should be kept relatively short to prevent the coupling of noise into this node. It is important that the LX2206

have a good thermal path to ambient to dissipate heat. The simplest way to do this is to heatsink the LX2206 bottom pad directly to the ground plane by placing 4 or more vias in the ground pad directly under the LX2206 footprint.

LX2206 PRINTED CIRCUIT BOARD LAYOUT

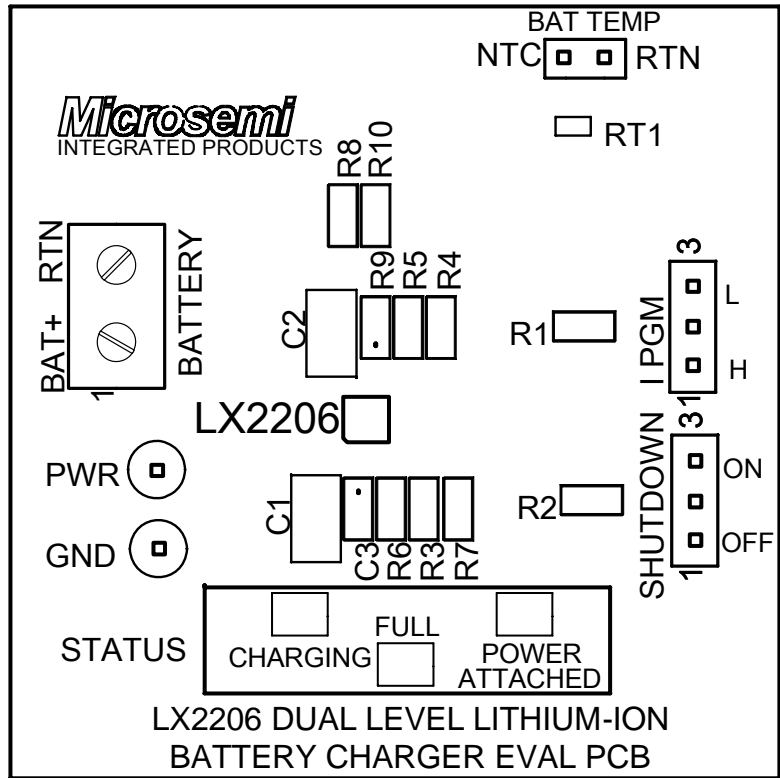


Figure 4 – LX2206 Evaluation Board Layout

LX2206 EVALUATION BOARD BILL OF MATERIALS

MISCELLANEOUS COMPONENTS

Line Item	Part Description	Manufacturer & Part #	Case	Reference Designators	Qty
1	Microsemi IC – Dual Level Li-Ion Charger	MICROSEMI LX2206ILD	3x3 MLP	U1	1
2	LED - Amber	PANASONIC LNJ414K8YRA	0603	CHARGING	1
3	LED - Red	PANASONIC LNJ214K8ARA	0603	FULL	1
4	LED - Green	PANASONIC LNJ314G8TRA	0603	POWER ATTACH	1
5	Thermistor – NTC, 100k	VISHAY NTHS0402N01N1003J	0402	RT1	1
6	Terminal Block 2 position/ 7mm spacing	OST OST/2/7.0		BATTERY	1
7	Header 3 pin 0.100in spacing			I PGM, SHUTDN	2
8	Header 2 pin 0.100in spacing			BAT TEMP	1
9	Header 1 pin			PWR, GND	2
10	Jumper, 2 Pos, 0.100 inch spacing			I PGM, SHUTDN	2
11	Printed Circuit Board	MICROSEMI SGE#3541 X1			1

CAPACITORS

Line Item	Part Description	Part Number	Case	Reference Designators	Qty
1	Capacitor, X5R, 10uF, 10V, 10%	TAIYO YUDEN LMK316BJ106KD-T	1206	C1,2	2
2	Capacitor, X7R, 0.47uF, 16V, 20%	TAIYO YUDEN EMK212BJ474KD-T	0805	C3	1

RESISTORS

Line Item	Part Description	Part Number	Case	Reference Designators	Qty
1	Resistor, 1.00K, 1%, 1/10W	PANASONIC ERJ-6ENF1001V	0805	R1,2	2
2	Resistor, 2.49K, 1%, 1/10W	PANASONIC ERJ-6ENF2491V	0805	R3,6,7	3
3	Resistor, 121K, 1%, 1/10W	PANASONIC ERJ-6ENF1213V	0805	R4,8	2
4	Resistor, 19.6K, 1%, 1/10W	PANASONIC ERJ-6ENF1962V	0805	R5	1
5	Resistor, 24.9K, 1%, 1/10W	PANASONIC ERJ-6ENF2492V	0805	R10	1