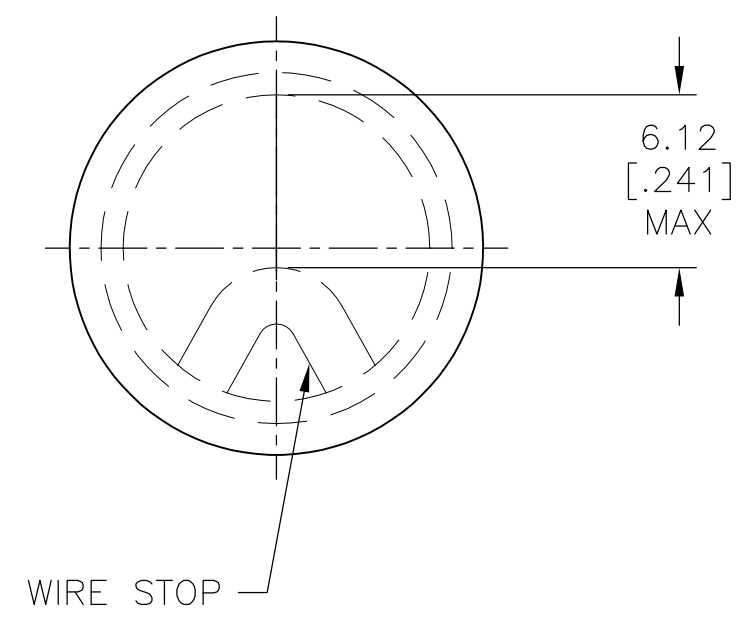
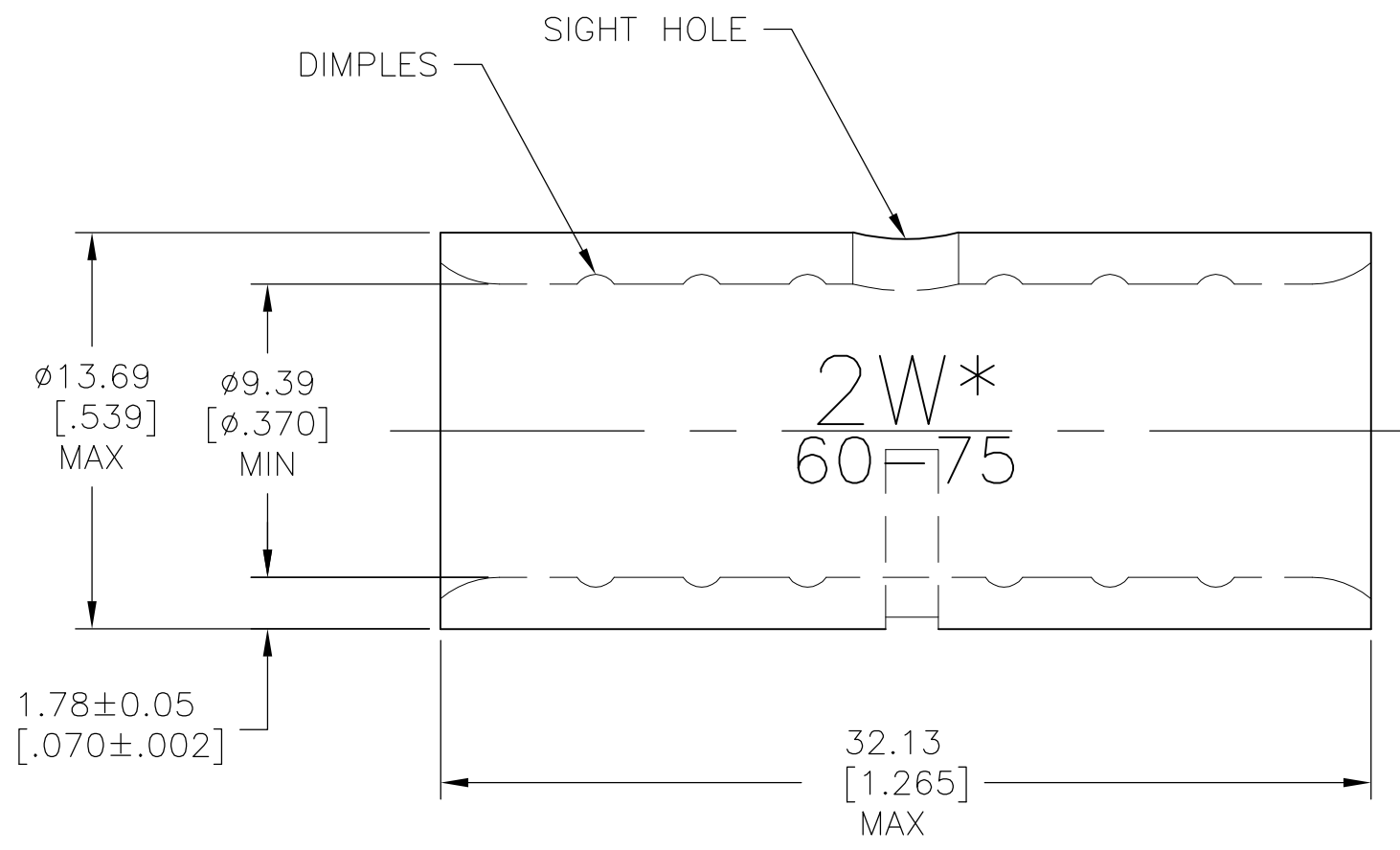


THIS DRAWING IS UNPUBLISHED.      RELEASED FOR PUBLICATION  
 © COPYRIGHT - By -      ALL RIGHTS RESERVED.

LOC	DIST	REVISIONS					
		P	LTR	DESCRIPTION	DATE	DWN	APVD
G	-		B1	REDRAWN PER ECO-12-018518	24OCT12	KH	DR

- △ 1 MATERIAL: COPPER PER ASTM B152
- △ 2 FINISH: TIN PLATE PER ASTM B545



**AMP INCORPORATED**  
**CUSTOMER SERVICE SYSTEMS**

FOR ADDITIONAL PRODUCT INFORMATION OR COPIES OF DRAWINGS AND TECHNICAL DOCUMENTS: PRODUCT INFORMATION CENTER 1-800-522-6752

FOR APPLICATION TOOLING INFORMATION: TOOLING ASSISTANCE CENTER 1-800-722-1111

FOR ORDER ENTRY: 1-800-526-5142

MAX RECOMMENDED OPERATING TEMPERATURE:  
 170°C [338°F]

VOLTAGE RATING:  
 N/A

WIRE:  
 26.7-42.4mm<sup>2</sup>[52,600-83,700]CIR MILLS SOLID OR STRANDED

THIS DRAWING IS A CONTROLLED DOCUMENT.

DIMENSIONS: mm [INCHES]

TOLERANCES UNLESS OTHERWISE SPECIFIED:

0 PLC	± -
1 PLC	± -
2 PLC	± -
3 PLC	± -
4 PLC	± -
ANGLES	± -

MATERIAL: △ 1

FINISH: △ 2

DWN: KIRAN HOLAL 24OCT12  
 CHK: ROHDE DANIEL 24OCT12  
 APVD: ROHDE DANIEL 24OCT12

PRODUCT SPEC: -  
 APPLICATION SPEC: -  
 WEIGHT: -

**STE** TE Connectivity

NAME: WIRE SPLICE, SOLISTRAND-BUTT WIRE SIZE-2 AWG

SIZE: A3 CAGE CODE: 00779 DRAWING NO: C-322246 RESTRICTED TO: -

CUSTOMER DRAWING SCALE: 1:1 SHEET: 1 OF 1 REV: B1