

4

3

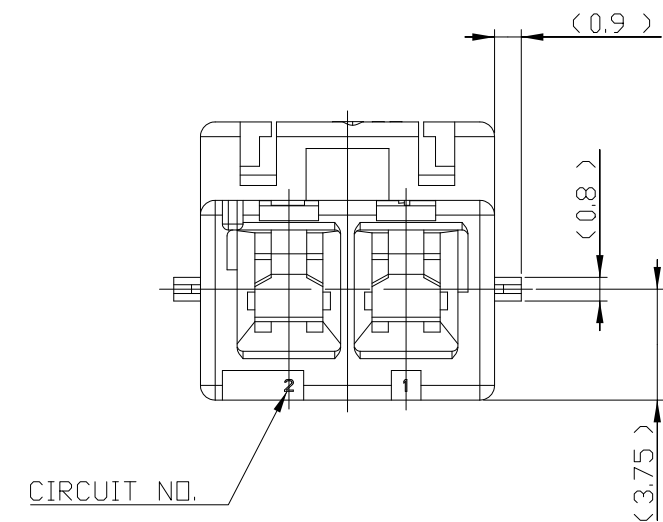
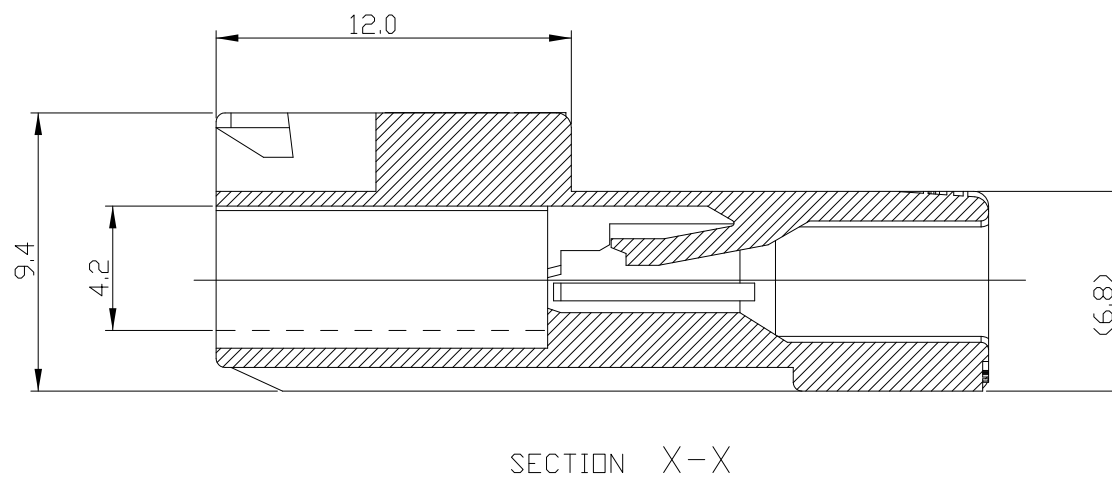
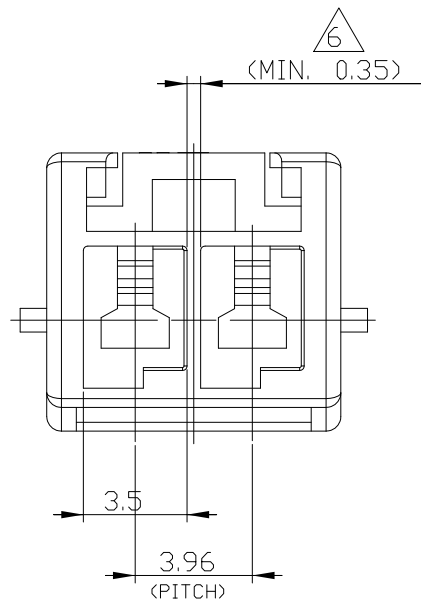
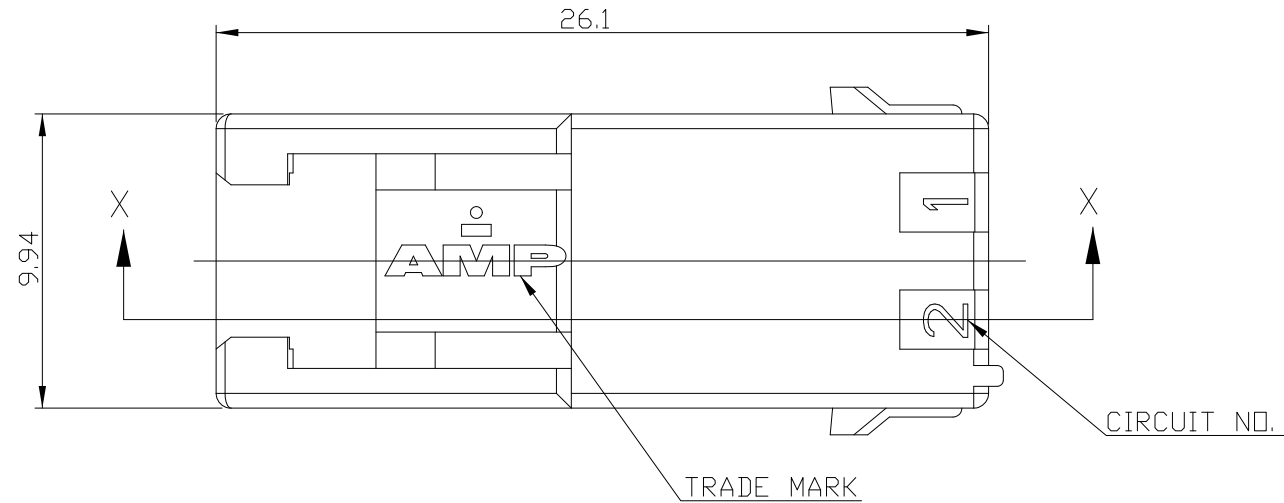
2

1

THIS DRAWING IS UNPUBLISHED. RELEASED FOR PUBLICATION 20

© COPYRIGHT 20 BY TYCO ELECTRONICS CORPORATION. ALL RIGHTS RESERVED.

LOC	DIST	REVISIONS					
DS	-	P	LTR	DESCRIPTION	DATE	DWN	APVD
		A		RELEASED	29.MAY'09	SC	JK



NOTE;

- 1.APPLICABLE CONTACT P/N
-TAB CONTACT:177917- □(AWG#16-#20)
177916- □(AWG#22-#26)
- 2.MATING CONN.P/N
-PLUG HSG:2005247- □
-REC CONTACT:177915- □(AWG#16-#20)
:177914- □(AWG#22-#26)
- 3.APPLICABLE DOUBLE LOCK PLATE:
177918-1(V-0) / □-368590-1(V-2,GWT)
*IT SHOULD BE USED CERTAINLY WHEN CABLE ASS'Y
- 4.GENERAL TOLERANCES:±0.3
- 5.ACCORDING TO IEC 60335-1 4.2 EDITION
-PART MEETS GWT 750°C,850°C.
-MATERIAL MEETS BALL PRESSURE TESTING AT 125°C.
-MATERIAL HAS CTI VALUE OF 250V.
- 6.MIN.THICKNESS OF INSULATING WALL

2005248-9	BLACK
2005248-6	BLUE
2005248-4	YELLOW
2005248-2	RED
2005248-1	NATURAL
P/N	COLOR

<small>THIS DRAWING IS A CONTROLLED DOCUMENT FOR TYCO ELECTRONICS CORPORATION IT IS SUBJECT TO CHANGE AND THE CONTROLLING ENGINEERING ORGANIZATION SHOULD BE CONTACTED FOR THE LATEST REVISION.</small>		DWN SC KIM CHK BW KANG APVD JK SONG PRODUCT SPEC 108-61106 APPLICATION SPEC - WEIGHT -		AMP KOREA Kyungsan, Korea	
DIMENSIONS: mm		TOLERANCES UNLESS OTHERWISE SPECIFIED: 0 PLC ±- 1 PLC ±0.1 2 PLC ±0.01 3 PLC ±0.001 4 PLC ±0.0001 ANGLES ±-		NAME PDL 2P CAP HSG 3.96mm F/H (GWT)	
MATERIAL PA66(UL94V-0)		FINISH -		SIZE A3	
		CAGE CODE 00779		DRAWING NO 2005248	
		RESTRICTED TO -		SCALE 4:1	
		CUSTOMER DRAWING		SHEET 1 OF 1 REV A	