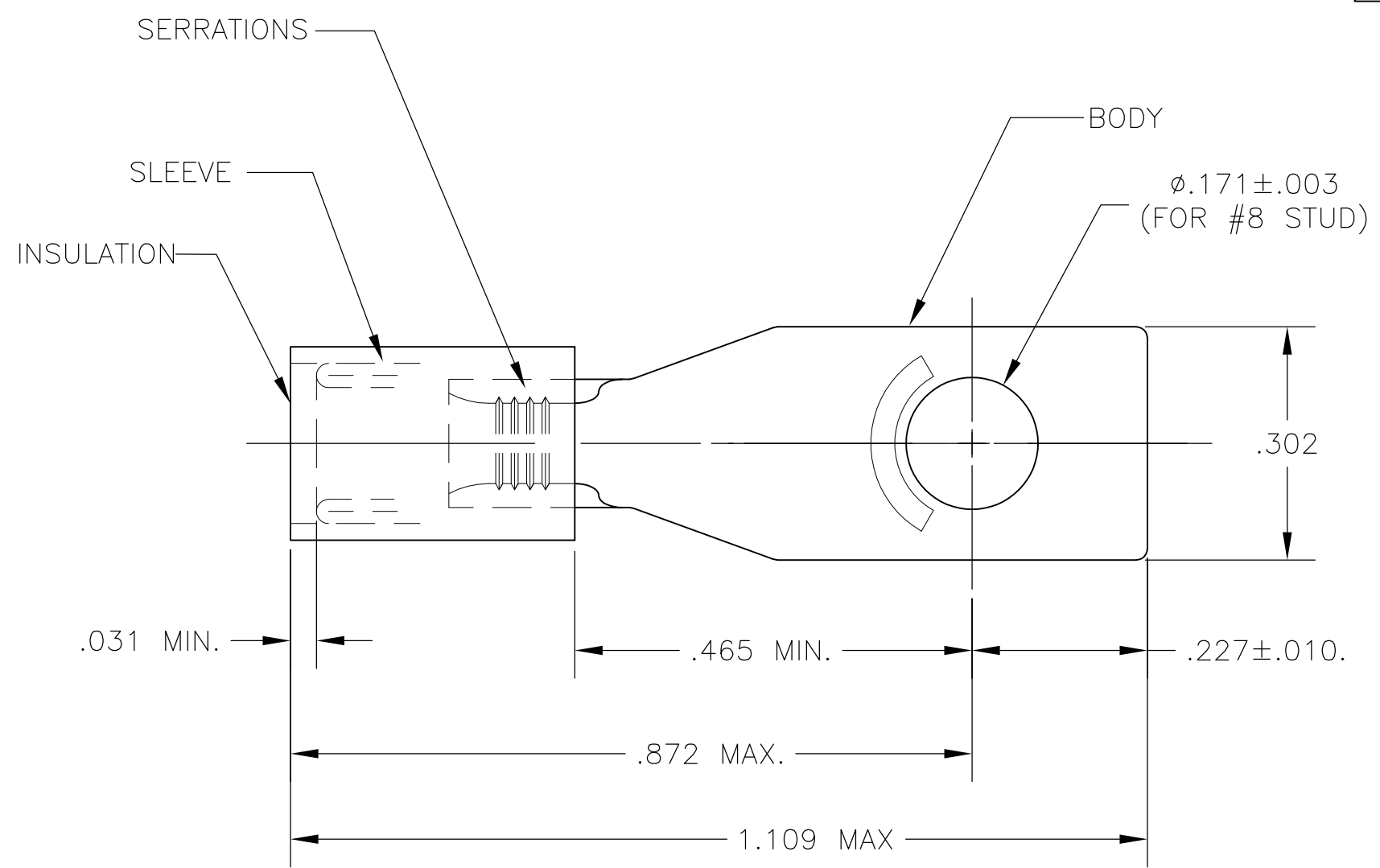


THIS DRAWING IS UNPUBLISHED. RELEASED FOR PUBLICATION
 © COPYRIGHT BY TYCO ELECTRONICS CORPORATION. ALL INTERNATIONAL RIGHTS RESERVED.

LOC	DIST	REVISIONS					
G	02	P	LTR	DESCRIPTION	DATE	DWN	APVD
			K3	REVISED PER ECR-09-026553	04DEC09	JR	TM



- △ 1 SUPERSEDED BY 327944
- 2 TONGUE MATERIAL THK=.031±.002 FOR .105 TO .140 WIRE INS. DIA
- 3 MARKING 22-18 FOR MILITARY COMMERCIAL RANGE 22-16
- △ 4 MEETS MS17143-7, CLASS 1 & 2
- △ 5 MEETS MS17143-7, CLASS 2

	100	LOOSE PC. BOX	8-327944-1	INSULATION SLEEVE, BODY: SAME AS 327944
△ 1	5000	2-327944-1 ON TAPE	2-327944-3	INSULATION: VINYL COLOR: RED BODY&SLEEVE: COPPER ASTM B-152 TIN PL ASTM B-545
△ 1	1000	WIRE TERMINAL	2-327944-1	
△ 1	5000	327944 ON TAPE	2-327944-2 △ 5	INSULATION: NYLON COLOR: RED SLEEVE: COPPER ASTM B-152 BODY: COPPER ASTM B-152 TIN PL ASTM B-545
	1000	WIRE TERMINAL	327944 △ 4	
	QTY	DESCRIPTION	PART NO	MATERIAL & FINISH

THIS DRAWING IS A CONTROLLED DOCUMENT.		DWN 09JUN08 RAGHAVENDRA HM	Tyco Electronics Corporation Harrisburg, PA 17105-3608	
DIMENSIONS: INCHES	TOLERANCES UNLESS OTHERWISE SPECIFIED:	CHK 09JUN08 T MICHIELUTTI	NAME WIRE TERMINAL, PIDG, RECTANGULAR TONGUE WIRE SIZE : 22-16	
	0 PLC ± - 1 PLC ± - 2 PLC ± - 3 PLC ± .008 4 PLC ± - ANGLES ± 5°	APVD 09JUN08 T MICHIELUTTI	PRODUCT SPEC -	
MATERIAL SEE TABLE	FINISH SEE TABLE	APPLICATION SPEC -	WEIGHT -	RESTRICTED TO -
		SIZE	CAGE CODE	DRAWING NO
		A3	00779	G-327944
		CUSTOMER DRAWING	SCALE 5:1	SHEET 1 OF 1 REV K3