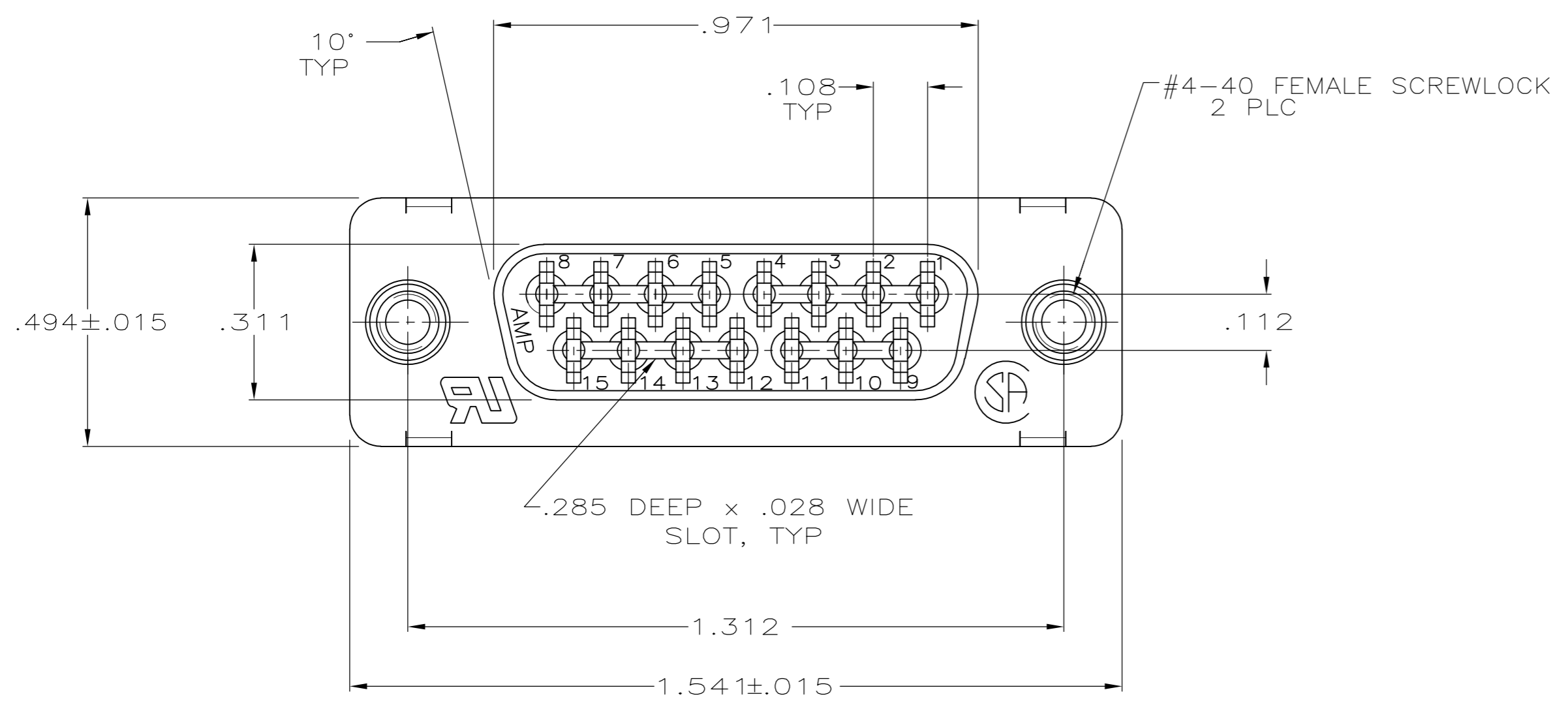
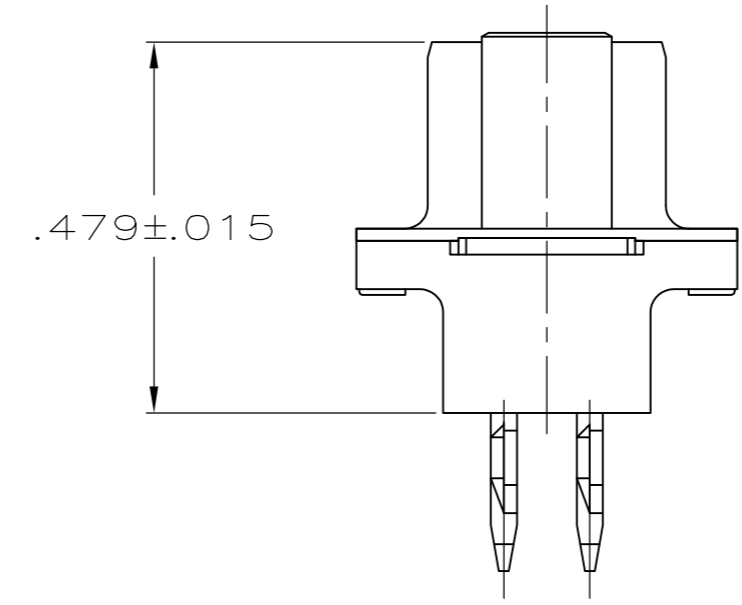
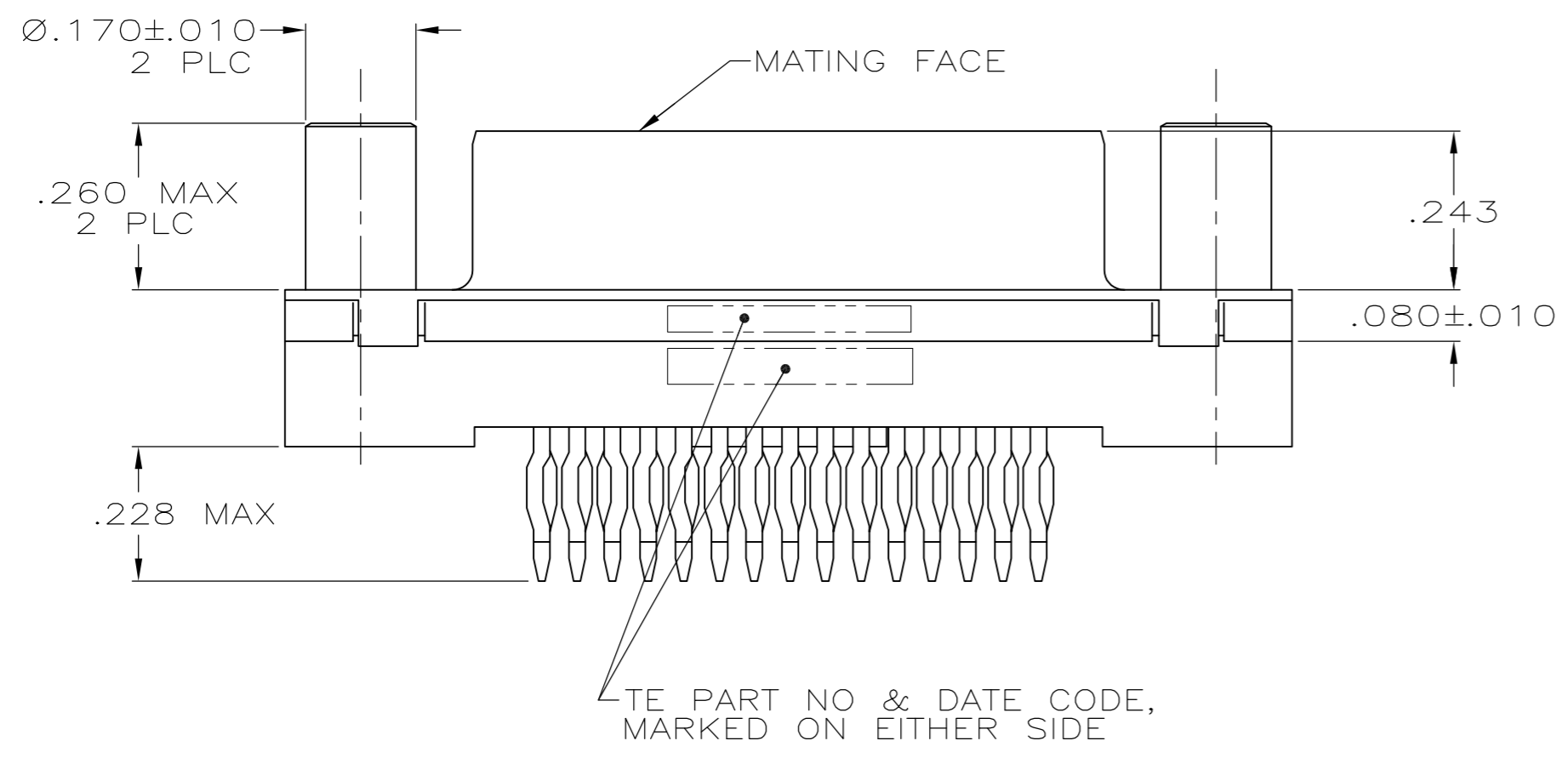


THIS DRAWING IS UNPUBLISHED. RELEASED FOR PUBLICATION
 © COPYRIGHT - By - ALL RIGHTS RESERVED.

LOC		DIST		REVISIONS			
P	LTR	DESCRIPTION		DATE	DWN	APVD	
GP	00	C		REVISED PER ECO-12-000090	26JAN2012	CJV	SLB



- 1 FOR USE WITH .093 MINIMUM THICK PRINTED CIRCUIT BOARD. REFER TO APPLICATION SPECIFICATION FOR PRINTED CIRCUIT BOARD LAYOUT DIMENSIONS AND FINISH RECOMMENDATIONS.
- 2 HOUSING: FLAME RETARDANT 94V-0 RATED THERMOPLASTIC, COLOR BLACK
 CONTACTS: COPPER-NICKEL ALLOY.
 SHELL: CARBON STEEL.
 SCREWLOCKS: ZINC ALLOY.
- 3 CONTACTS:
 0.76 MICRO METERS [.000030] MINIMUM GOLD IN MATING AREA.
 2.54 MICRO METERS [.000100] MINIMUM TIN ON COMPLIANT PIN.
 ALL OVER 1.27 MICRO METERS [.000050] MINIMUM NICKEL
 OR
 GOLD FLASH OVER PALLADIUM NICKEL,
 0.76 MICRO METERS [.000030] MINIMUM TOTAL IN MATING AREA.
 2.54 MICRO METERS [.000100] MINIMUM TIN ON COMPLIANT PIN.
 ALL OVER 1.27 MICRO METERS [.000050] MINIMUM NICKEL.



**COPYRIGHT 2005
 TYCO ELECTRONICS CORP
 ALL RIGHTS RESERVED**

5747142-2
 PART NO

THIS DRAWING IS A CONTROLLED DOCUMENT. DIMENSIONING AND TOLERANCING PER ASME Y14.5M-2009		DWN G. ATTADIA - DOCK5 02-16-05	TE TE Connectivity	
DIMENSIONS: INCHES		CHK S. BOLASH 02-16-05		
TOLERANCES UNLESS OTHERWISE SPECIFIED:		APVD M. WALMSLEY 02-16-05	NAME RCPT ASSY, SIZE 2, 15 POSN, AMPLIMITE HDP, MDM PROFILE, W/ ACTION PIN CONT & METAL SHELL. #4-40 FEMALE SCREWLOCKS	
0 PLC ± -		PRODUCT SPEC 108-40014	SIZE A2	CAGE CODE 00779
1 PLC ± -		APPLICATION SPEC 114-40026	DRAWING NO C=5747142	RESTRICTED TO -
2 PLC ± -			SCALE 4:1	SHEET 1 of 1
3 PLC ± .005				REV C
4 PLC ± -				
ANGLES ± 2°				
MATERIAL		WEIGHT -	CUSTOMER DRAWING	
FINISH				