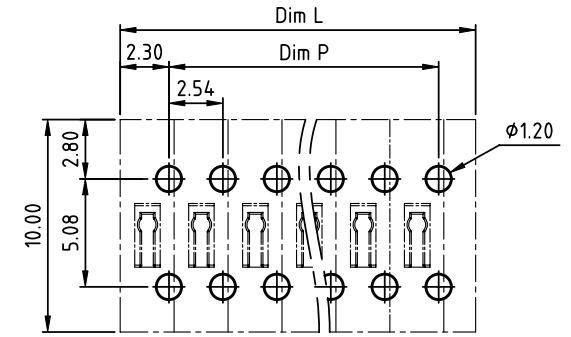
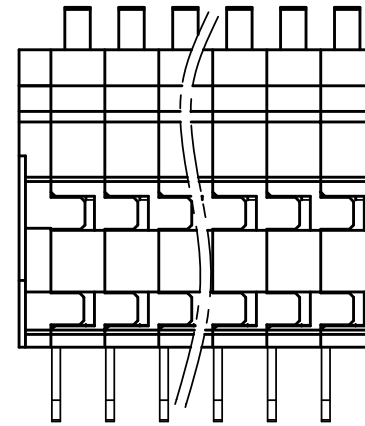
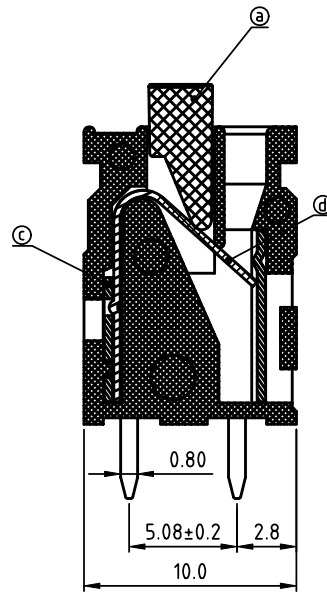
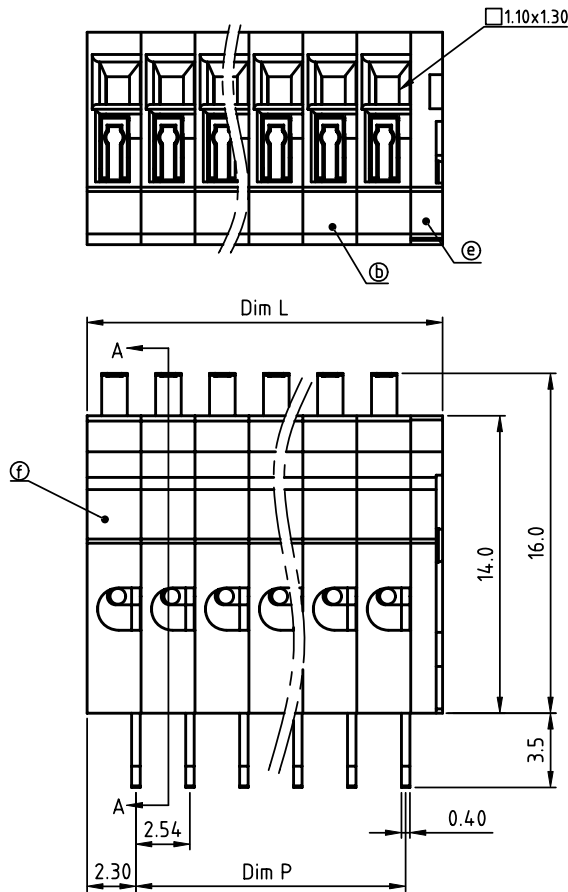


PRODUCT NUMBER	PITCH
NAxx50x000J0G	2.54mm



RECOMMENDED P.C.B LAYOUT  
TOP VIEW

Material:

- Item@Lever:Thermoplastic (UL94V-0)
- ItemⓁTerminal Normal housing:Thermoplastic (UL94V-0)
- ItemⓄSolder pin: Brass Tin plated
- ItemⓈSpring clamp: Stainless steel
- ItemⓂTerminal cover:Thermoplastic (UL94V-0)
- ItemⓅTerminal side housing:Thermoplastic (UL94V-0)

Electrical

- Voltage rating: 150V
- Current rating: 3A
- Wire range:
- Solid wire(AWG): 20-28
- Stranded wire(AWG): 20-28
- Wire strip length: 9-10mm
- Withstanding Voltage: 1.3KV
- Operating temperature: -40°C to +115°C
- Soldering temperature: 260°C±5°C/5 Sec
- Safety Approval:

N=Number of poles  
Dim L=Nx2.54+1.5  
Dim P=(N-1)x2.54

POLES	Dim L	Dim P
1p	±0.10	
2-6p	±0.20	±0.20
6-12p	±0.25	±0.25
12-24p	±0.30	±0.30

PART NO.: NA xx 50 x 000J0 G

No. of poles	Color	RoHS compliant
0	Black (RAL9005)	(lead<4%)
End Stackable	2 Red (RAL3001/D)	In copper Alloy
01	1 poles 3 Orange(RAL2011/P)	
02	2 poles 4 Yellow(RAL1018/A)	
...	...	
24	24 poles 5 Green(RAL6018/T)	
	6 Blue (RAL5015/A)	
	8 Grey(RAL7004/P)	
	9 White(RAL1102)	
	C Multiple colors	

mat'l. code		surface ASME Y14.5	tolerance ASME Y14.5	projection	product family
ltr ecn no dr date		tolerances unless otherwise specified			TERMINAL BLOCK
		angles	X.±0.5	MM	title
		fil	X.X±0.3		TERMINAL BLOCK
		X*±1*	X.XX±0.1	scale	SPRING CLAMP,90D WIRE INLET,A TYPE
		dr	EVIN ZHONG 060314		dwg no
		enr	EVIN ZHONG 060314		sheet 1 of 1
		chr	HANKE FENG 060314		size
		appd	SHI JUN 060314		A4
sheet index	revision	A		type	
	sheet	1		CUSTOMER Drawing	