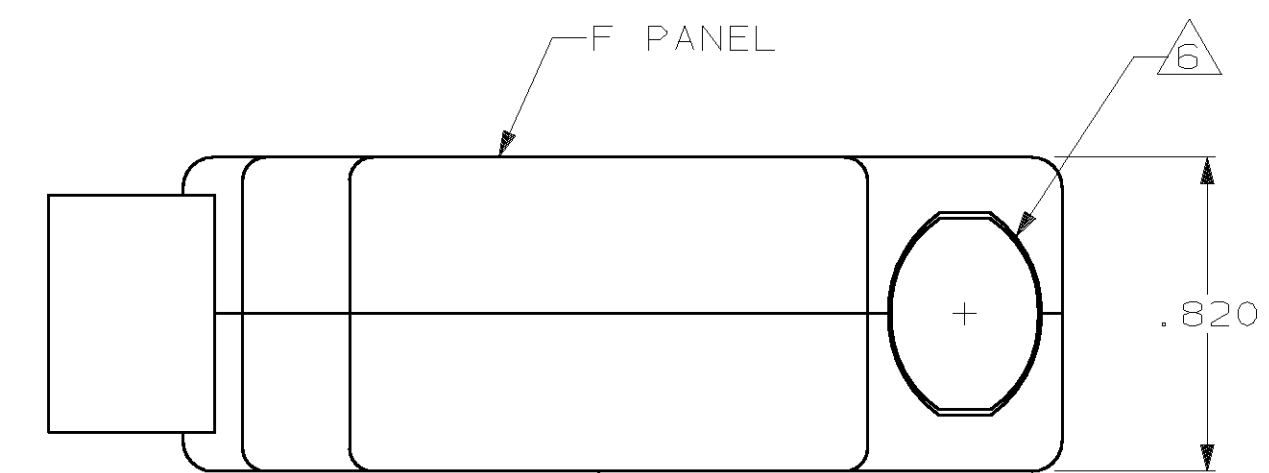
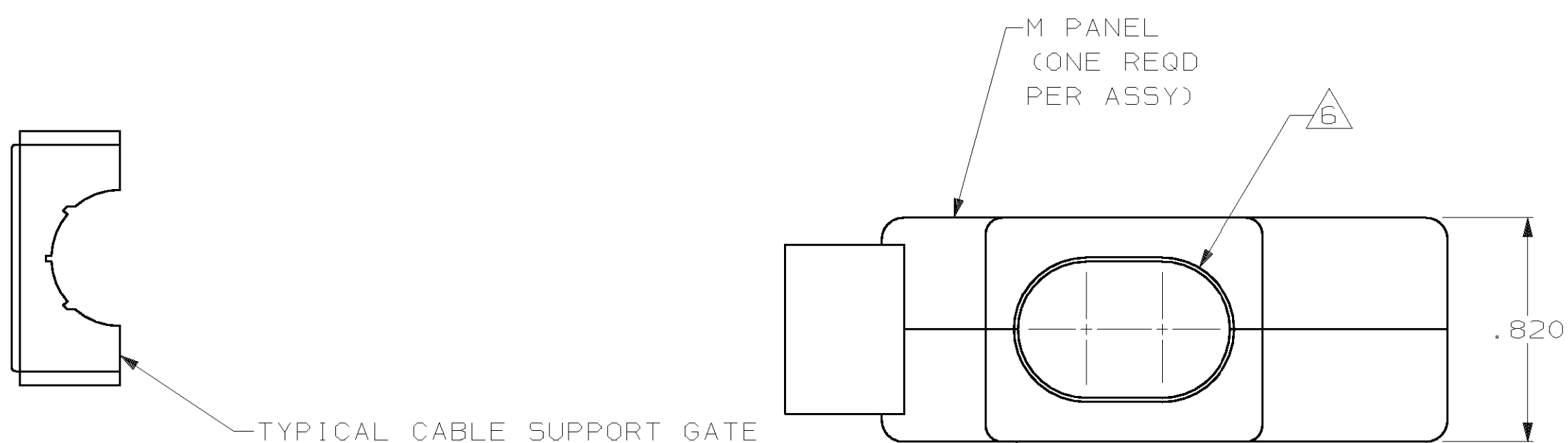
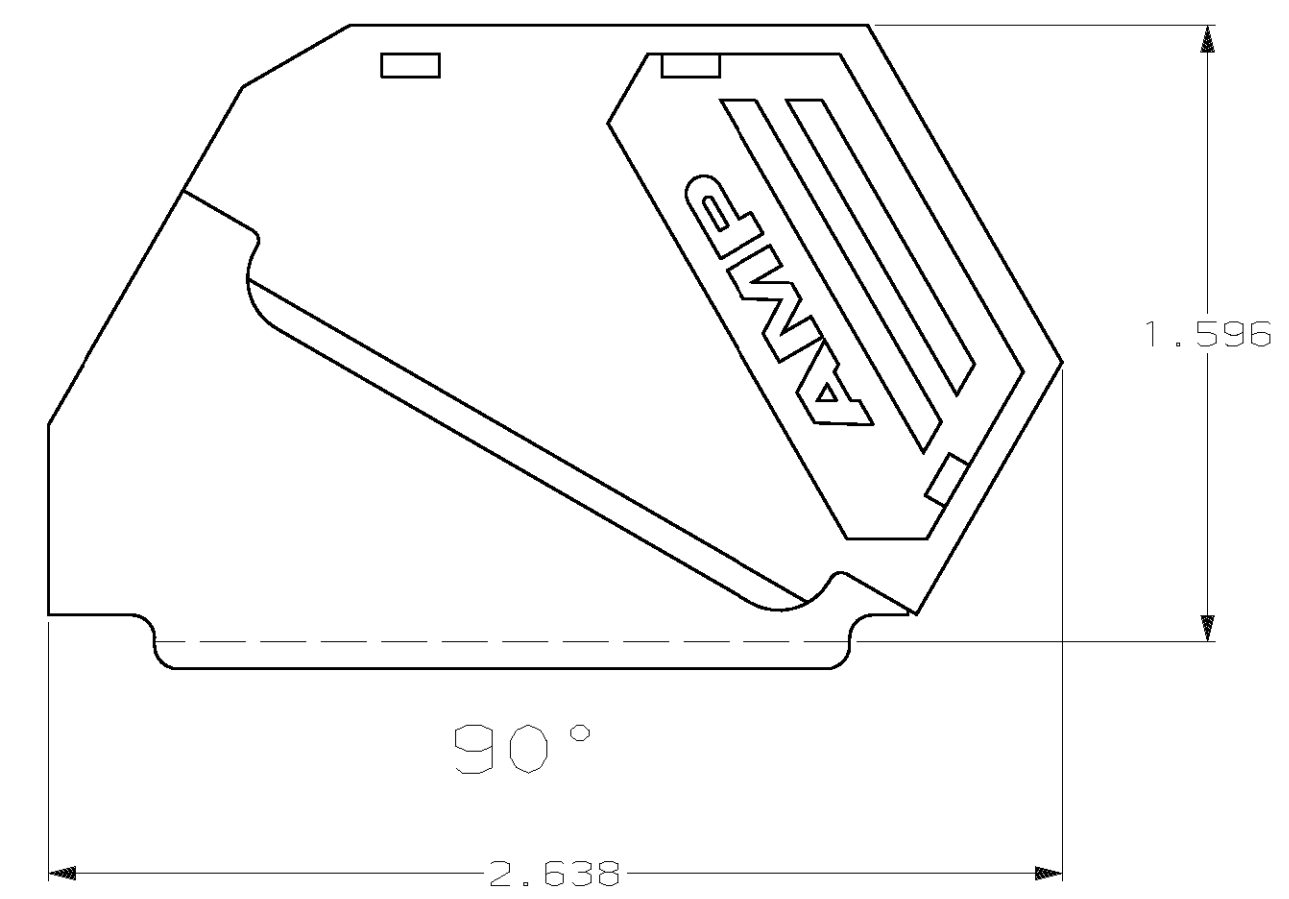
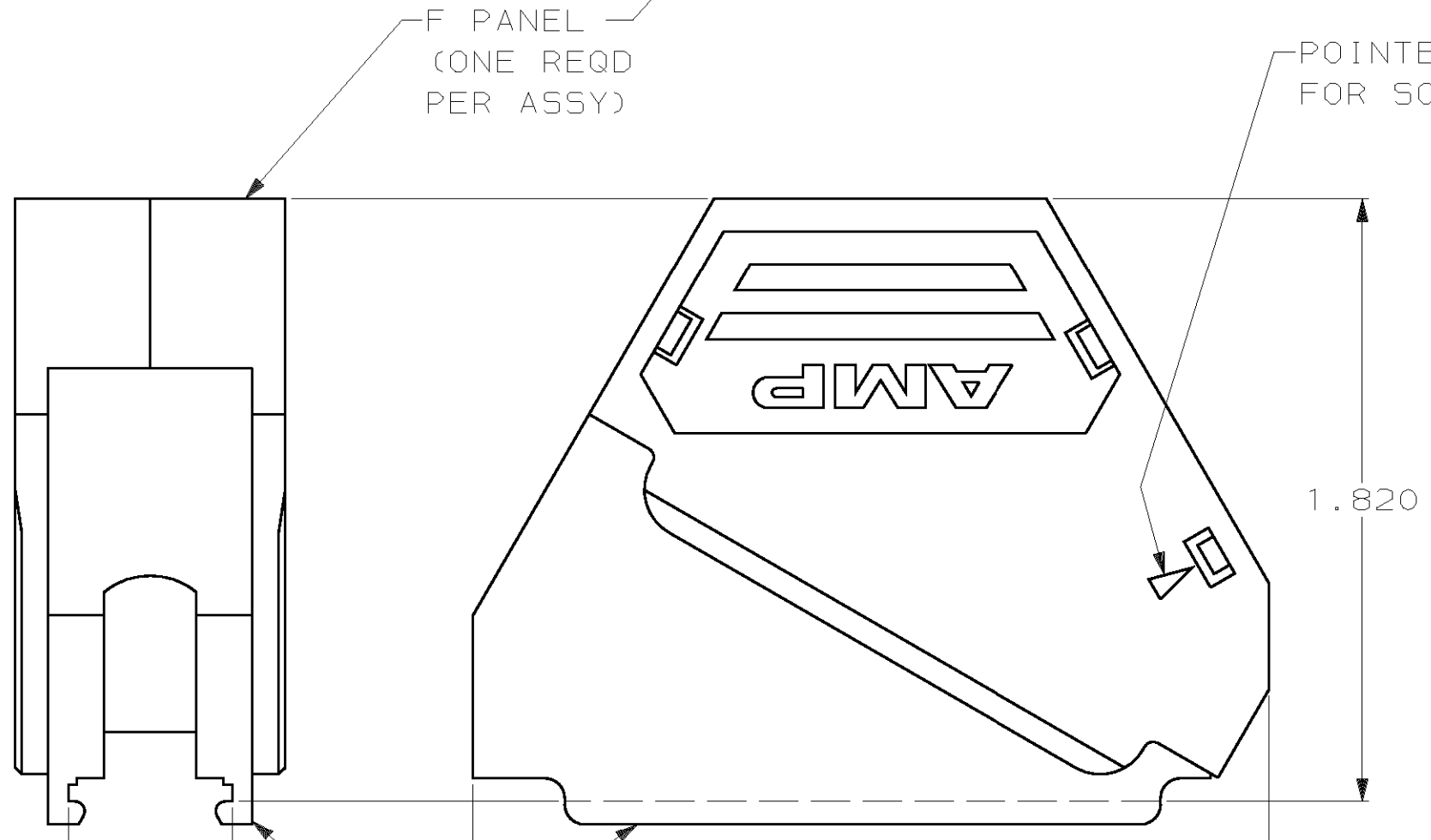


THIS DRAWING IS UNPUBLISHED. RELEASED FOR PUBLICATION
 © COPYRIGHT 19 BY AMP INCORPORATED. ALL INTERNATIONAL RIGHTS RESERVED.

LOC		DIST		P		F		ZONE		LTR		REVISIONS	
DESCRIPTION		DATE		APPD									
BD	0									B	REDRAWN ON CAD	5-11-90	-
										C	REV PER EC 0020-285-92	07/20/93	JM
										D	OBS -2 PER EC 001D-0245-00	05 FEB 01	DK



TYPICAL CABLE SUPPORT GATE
 (ASSORTMENT SUPPLIED WITH
 CABLE CLAMP ASSEMBLIES).



SLOT FOR FLANGE
 OF AMPLIMITE
 TYPE CONNECTORS.

YOKE
 (ONE REQD
 PER ASSY)

OBSOLETE	4	745311-2
	1 2 3	745311-1
	PACKAGING	PART NUMBER

- 1 ALL PARTS PACKAGED UNASSEMBLED.
- 2 SAME PARTS CAN BE ASSEMBLED IN EITHER 180° OR 90° CONFIGURATION, AS SHOWN.
- 3 KIT CONSISTING OF FOUR INDIVIDUAL PARTS, AS SHOWN.
- 4 EACH PART IS INDIVIDUALLY BULK PACKED FOR MULTIPLE KIT ORDERS.
- 5. PARTS ASSEMBLE WITHOUT HARDWARE.
- 6 CLAMP ACCOMMODATES DISCRETE WIRES OR JACKETED CABLE UP TO .750 INCH DIAMETER.

DO NOT SCALE PRINT. UNLESS SPECIFIED DIMENSIONS IN INCHES TOLERANCES ON :		DR 5-11-90 J GALLUCCI BG		AMP INCORPORATED Harrisburg, Pa. 17105	
2 PLC DEC ± -		CHK 6-15-90 W.G.LENKER			
3 PLC DEC ± .015		APPD 7-9-90 J.E.WEST		NAME	
ANGLES ± -		APPD 7-16-90 J.ASSINI		KIT, CABLE CLAMP ASSY, SIZE 4, AMPLIMITE™	
MATERIAL		PRODUCT SPEC		SIZE	
BLACK THERMOPLASTIC		-		FSCM NO	
FINISH		APPLICATION SPEC		DRAWING NO	
-		-		C 00779	
WEIGHT		-		SCALE	
-		-		2:1	
				SHEET	
				745311	
				1 OF 1	