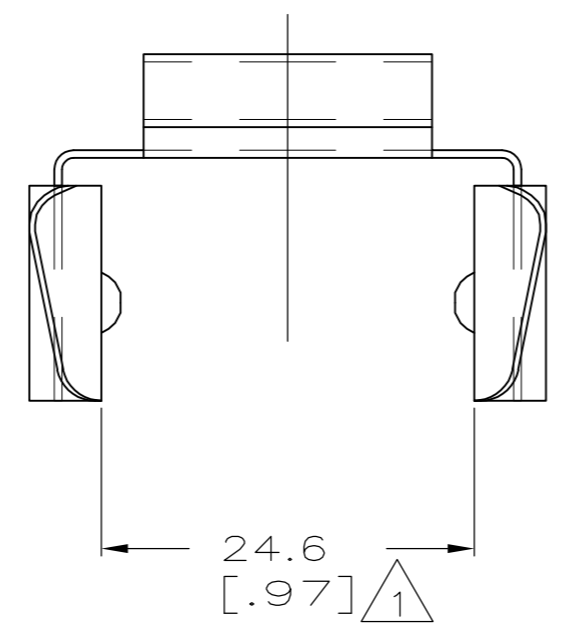
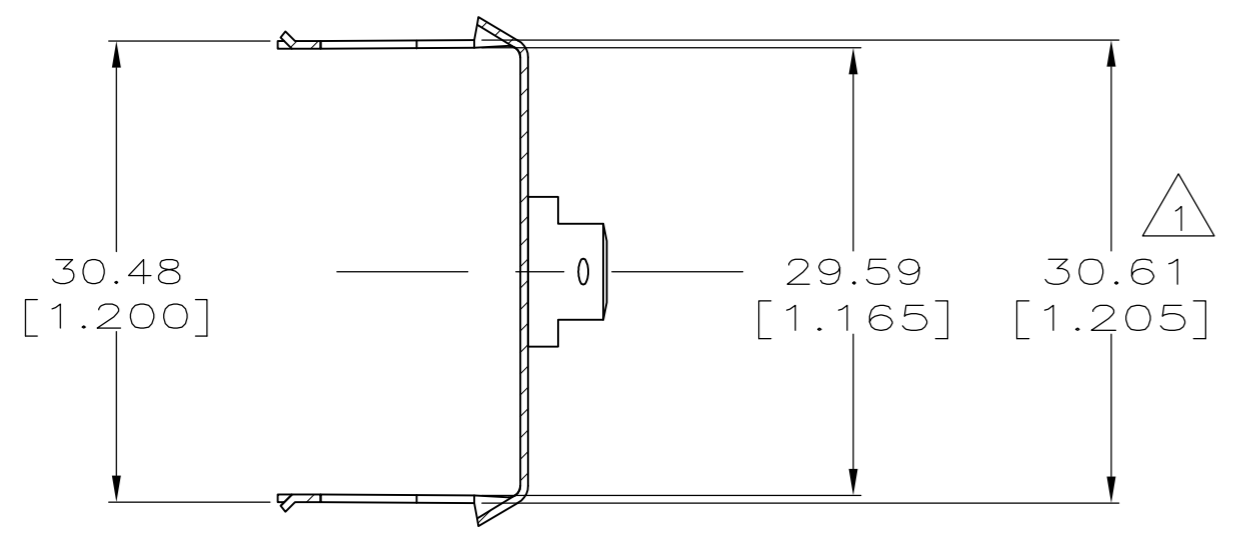
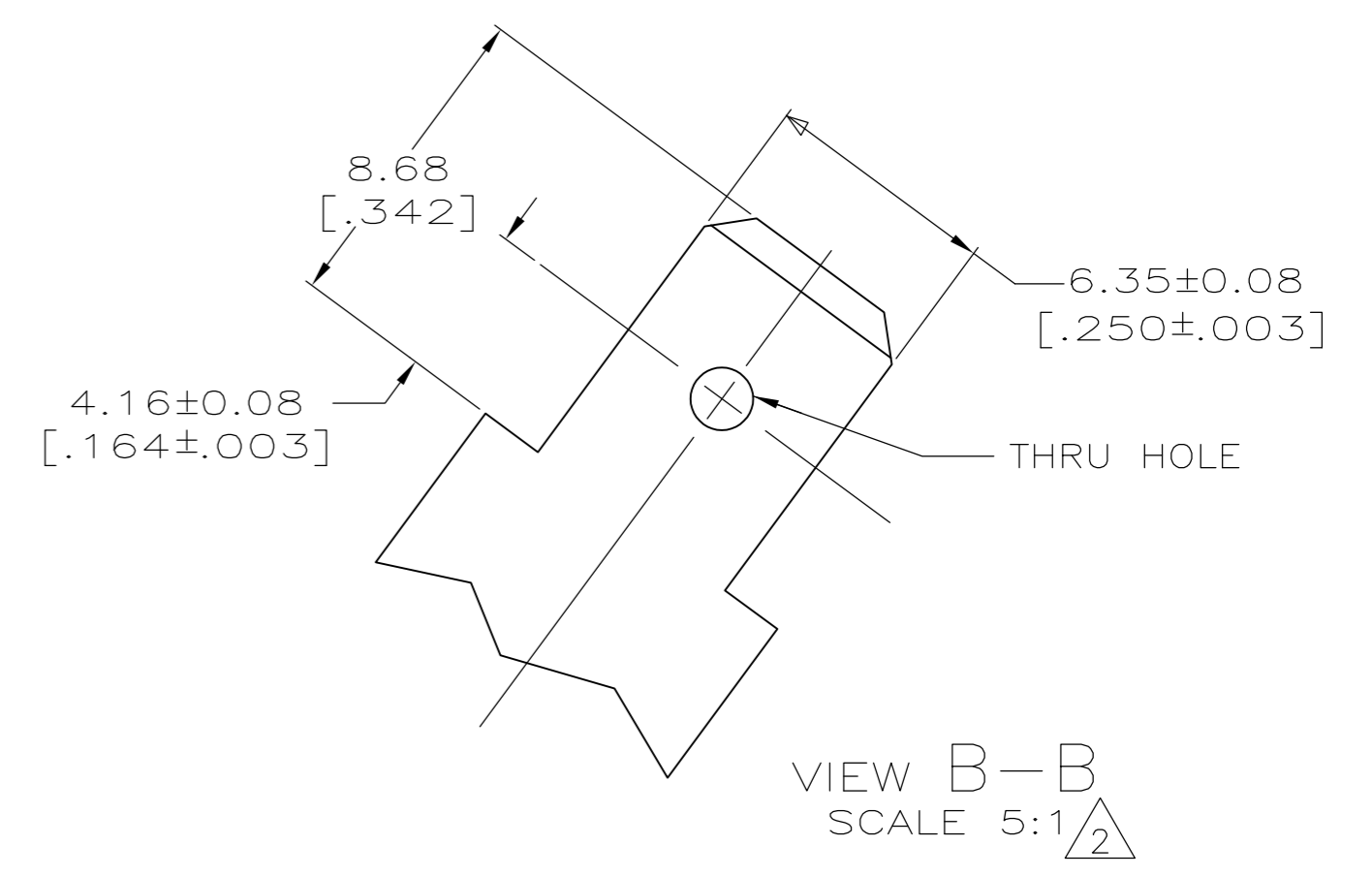
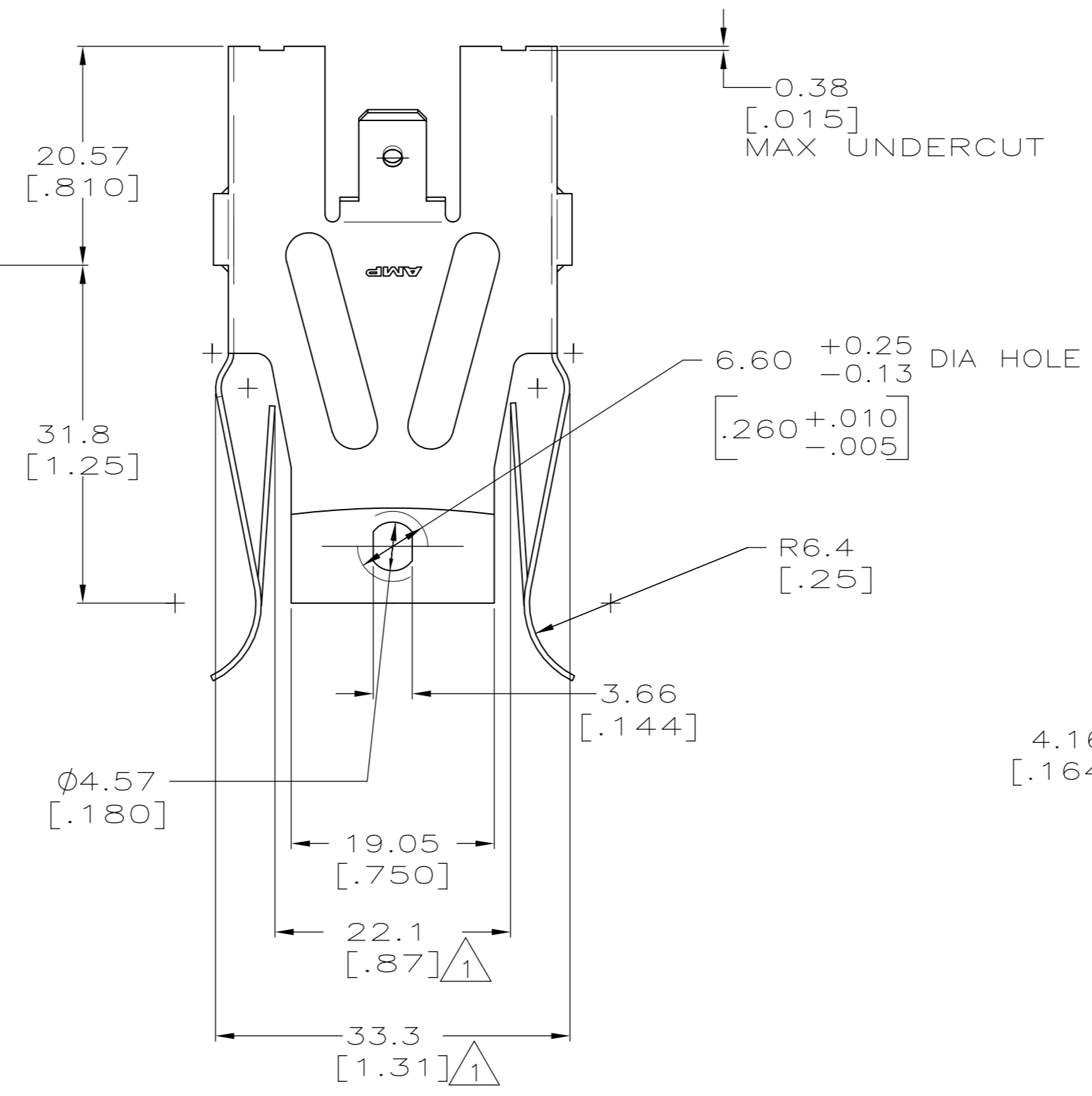
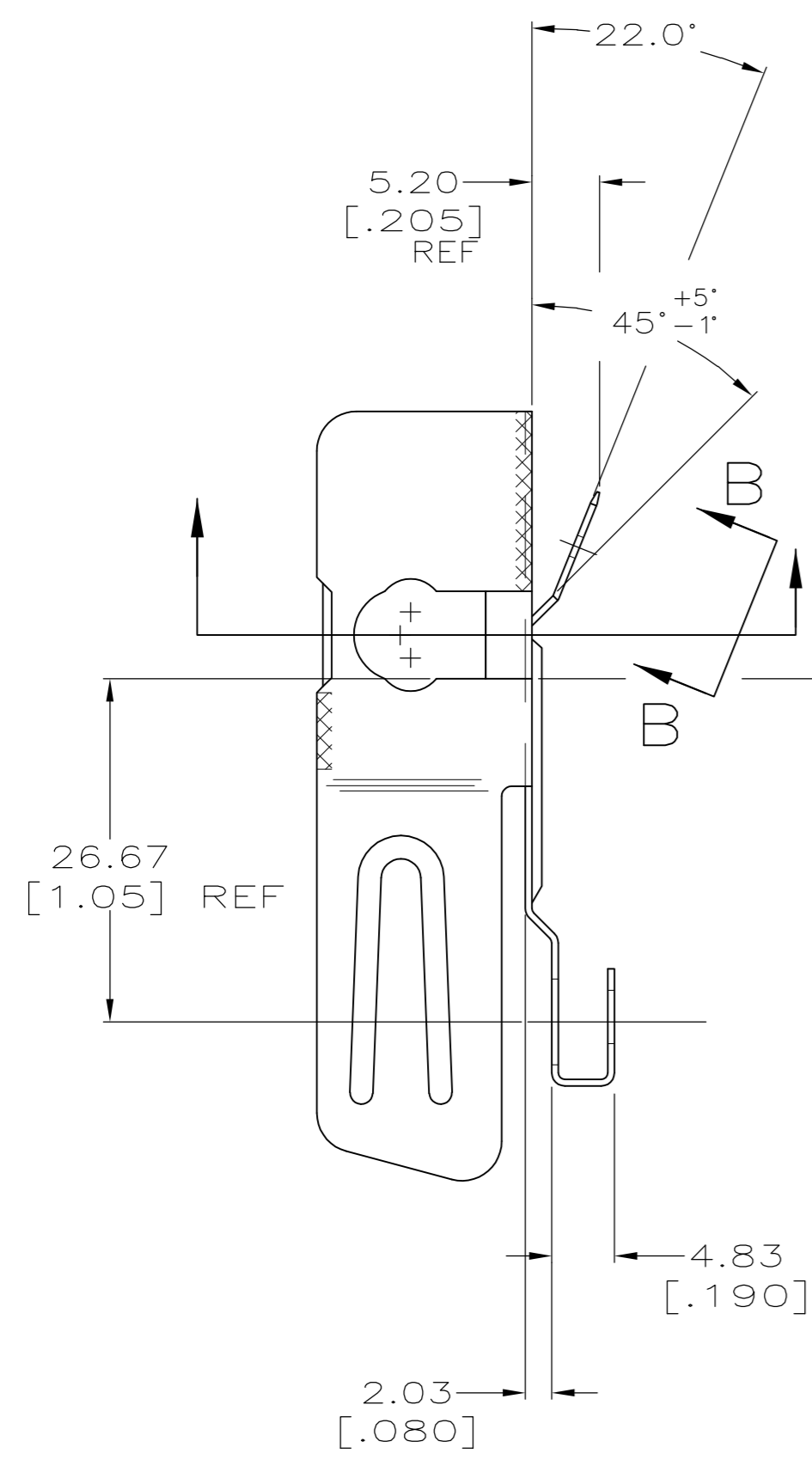


THIS DRAWING IS UNPUBLISHED. RELEASED FOR PUBLICATION
 © COPYRIGHT BY TYCO ELECTRONICS CORPORATION. ALL RIGHTS RESERVED.

LOC		DIST		REVISIONS			
P	LTR	DESCRIPTION		DATE	DWN	APVD	
AF	50	E1	REVISED PER ECR-08-006534	04APR08	HMR	GJ	

- 1 DIMENSION TO BE CHECKED WHEN SIDES ARE PARRALLEL WITH [1.215] DIM.
- 2 FOR 6.35 [.250] SERIES POSITIVE LOCK RECEPTACLE.



1217836-1
PART NO.

THIS DRAWING IS A CONTROLLED DOCUMENT.		DWN 13MAY2002 MICHAEL S. FEHER	Tyco Electronics Corporation Harrisburg, PA 17105-3608	
DIMENSIONS: mm		CHK 13MAY2002 DONALD DECKER	NAME CLIP, CONNECTOR, HEAVY DUTY BURNER	
TOLERANCES UNLESS OTHERWISE SPECIFIED:		APVD 13MAY2002 DONALD DECKER	PRODUCT SPEC	RESTRICTED TO
0 PLC ± -		APPLICATION SPEC	SIZE A2	CAGE CODE 00779
1 PLC ± -		114-1028	DRAWING NO C=1217836	SCALE 2:1
2 PLC ± 0.8 [.03]		WEIGHT -	SHEET 1 OF 1	REV E1
3 PLC ± 0.25 [.010]		CUSTOMER DRAWING		
4 PLC ± -				
ANGLES ± -				
FINISH -				
MATERIAL 1/4 HARD STAINLESS				