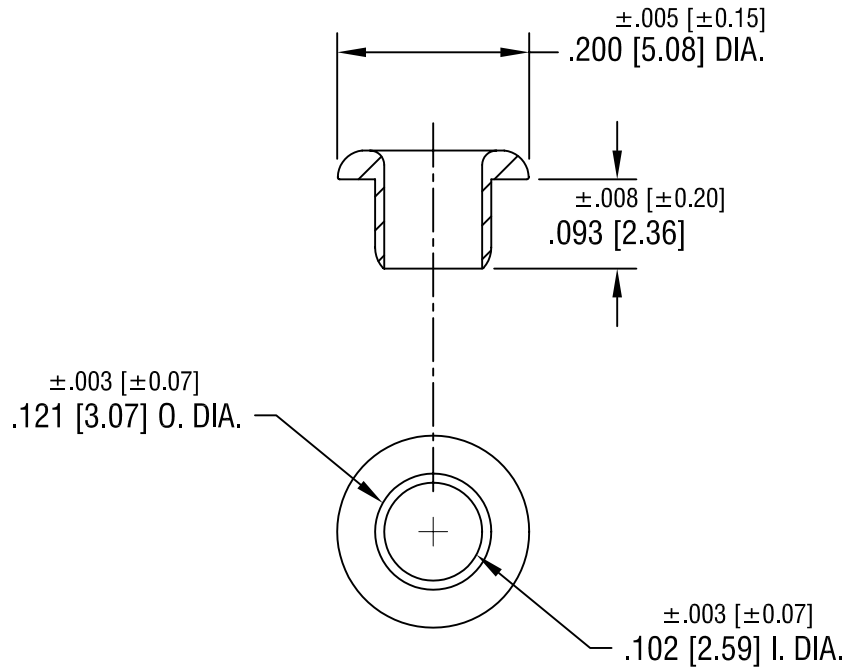


THIS DOCUMENT IS THE PROPERTY OF
KEYSTONE ELECTRONICS CORP. AND
SHALL NOT BE REPRODUCED, DISTRIBUTED
OR USED AS A BASIS FOR MANUFACTURE
WITHOUT PRIOR WRITTEN PERMISSION
FROM KEYSTONE ELECTRONICS CORP.



| | | | |
|-----------------------------------|---------------|--------------|-----------|
| KEYSTONE ELECTRONICS CORP. | | | |
| ASTORIA, N.Y. 11105-2017 | | | |
| PART NAME | | | |
| WIDE ROLL EYELET | | | |
| MATERIAL | | | |
| .0095 [0.24] TH'K BRASS | | | |
| FINISH | | DRN BY | DATE |
| TIN PLATE | | BOONE | 6.14.94 |
| | | APPD | SCALE |
| | | LN | 5X |
| TOLERANCES | INCH | [MM] | CODE |
| DECIMAL | $\pm .005$ | $[\pm 0.15]$ | C/M |
| ANGULAR | $\pm 1^\circ$ | | |
| UNLESS OTHERWISE SPECIFIED | | | DWG NO. |
| | | | 43 |

| | | |
|------|-------------|------|
| DATE | DESCRIPTION | REV. |
| | | |