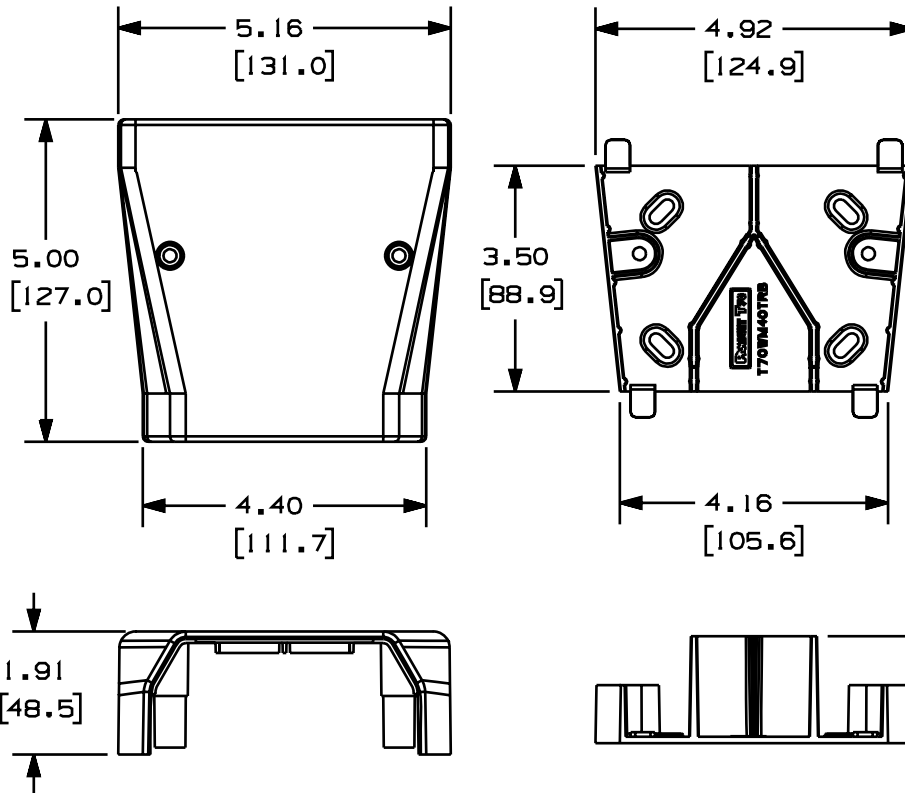


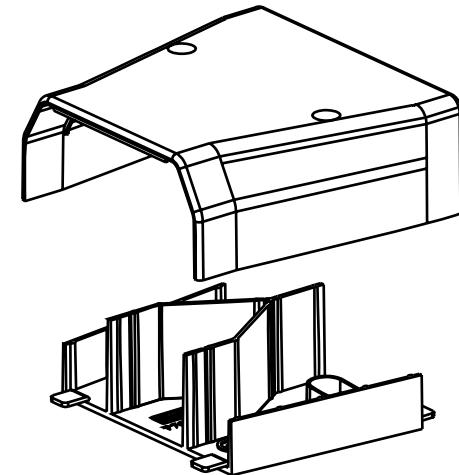
THIS COPY IS PROVIDED ON A RESTRICTED BASIS AND IS NOT TO BE USED IN ANY WAY DETRIMENTAL TO THE INTERESTS OF PANDUIT CORP.



PANDUIT PART NO.	WEIGHT
T70WM40TR	.38 LBS/172.1 G

NOTES:

- SEE CURRENT CATALOG FOR ADDITIONAL PART NUMBER SUFFIXES TO INDICATE COLOR AND/OR PACKAGE QUANTITY.
- BREAKOUTS FOR MAINTAINING POWER AND DATA ENTRY SEPARATION.
- THIS PRODUCT INTENDED TO BE USED WITH PANDUIT TYPE T70 AND WIREMOLD® 4000 RACEWAY.
- DIMENSIONS IN PARENTHESIS ARE IN METRIC.



WIREMOLD® IS A REGISTERED TRADEMARK OF THE WIREMOLD CO.

CAD FILENAME/LAYERS D38286BD\_DC\_T70WM40TR\_OOB.PRT

**PANDUIT** CORP. TINLEY PARK, ILLINOIS  
 T70 TO WIREMOLD® 4000 TRANSITION FITTING (T70WM40TR)  
 CUSTOMER DRAWING

UNLESS OTHERWISE SPECIFIED, DIMENSIONAL TOLERANCES ARE:  
 1.X1 : .0101 .25 ANGLES : 1°

UNLESS OTHERWISE SPECIFIED, ALL DIMENSIONS ARE GIVEN IN INCHES, THIRD ANGLE PROJECTION.

REV	DATE	BY	CHK	DESCRIPTION	ECN	CHK	CUST	SUP
I	06-04-02	JHEP	RMHI	B. CHANGED MATERIAL A. ADDED WIREMOLD CO. TRADEMARK TEXT	38286-04	RGRO	RGRO	
R	04-08-02	JBN	RMHI	RELEASED TO PRODUCTION	38286-04	RGRO	RGRO	

DRAWN BY JBN  
 DATE 04-08-02  
 CHK'D RMHI

MAT'L: PVC

SCALE NONE  
 DRAWING NO. 38286-04  
 DWG SIZE A