

**NOTES:**

±.001

① MAT'L: COPPER (STOCK TKN.  $\frac{.050}{1.27}$ )

② PLATING: ELECTRO TIN (.0003 MIN)  
TIN-PLATED BRASS FUNNEL FERRULE

③ NYLON INSULATION (COLOR CODED YELLOW)

STUD SIZES: (±.005)

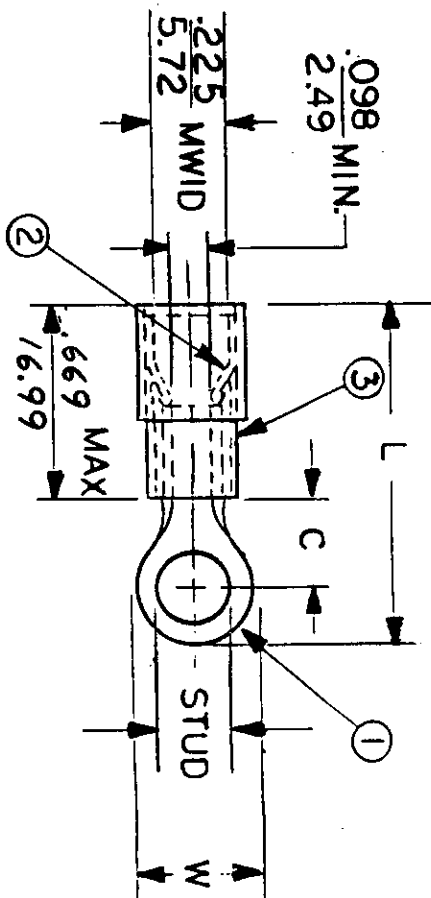
- 02 = .094
- 04 = .119
- 06 = .146
- 08 = .173
- 10 = .198
- 14 = .265
- 56 = .328
- 38 = .390
- 76 = .453
- 12 = .515

"UL" LISTING #E32244  
"CSA" LISTING #18689

WIRE SIZE: 16-14 AWG  
10-25 MM<sup>2</sup>

ALL DIMENSIONS = INCHES  
MM

(MWID) = DENOTES MAXIMUM WIRE INSULATION DIAMETER



FILE NO.

BHD-CD-501-01

PART NUMBER	"W" ±.010	"C" MIN.	"L" MAX.	REFERENCE		SCALE:	NTS	DATE	TITLE:	DWG. NO.	CUSTOMER DWG
				REV A 04/10/83	REV 1/6/94						
B-501-	$\frac{.750}{1905}$	$\frac{.611}{15.52}$	$\frac{1.700}{43.18}$					11-29-84	RING TONGUE HEAVY DUTY TERMINAL	A	
B-528-	$\frac{.375}{9.53}$	$\frac{.303}{7.70}$	$\frac{1.205}{30.61}$						AVIKRIMP 500-SERIES		
B-530-	$\frac{.530}{13.46}$	$\frac{.393}{9.98}$	$\frac{1.372}{34.85}$								
B-536-	$\frac{.282}{7.16}$	$\frac{.306}{7.77}$	$\frac{1.161}{29.49}$								
B-540-	$\frac{.592}{15.04}$	$\frac{.466}{11.84}$	$\frac{1.476}{37.49}$								
DIMENSIONAL TOLERANCES UNLESS OTHERWISE SPECIFIED DIM. DEC. ANG.											