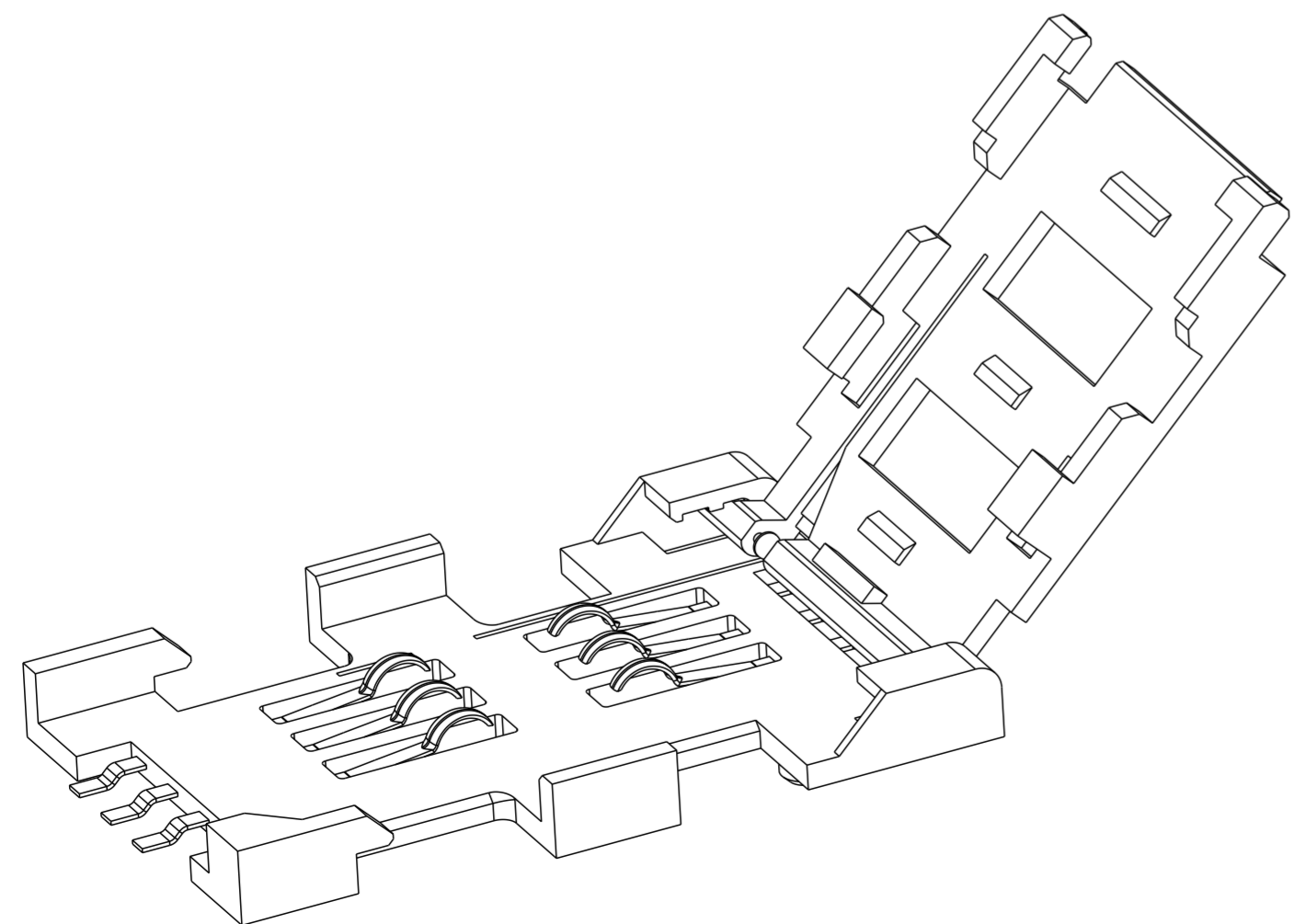
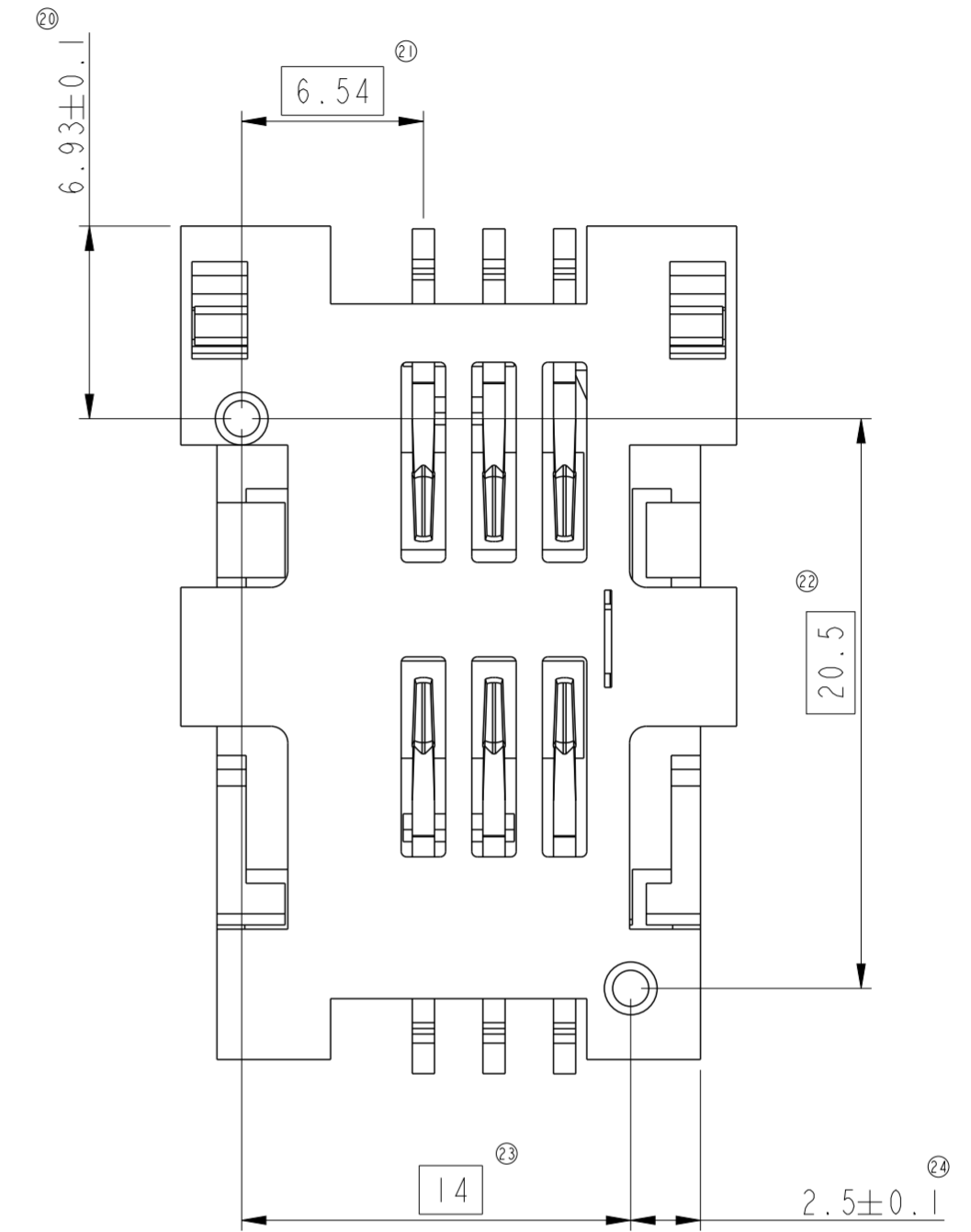
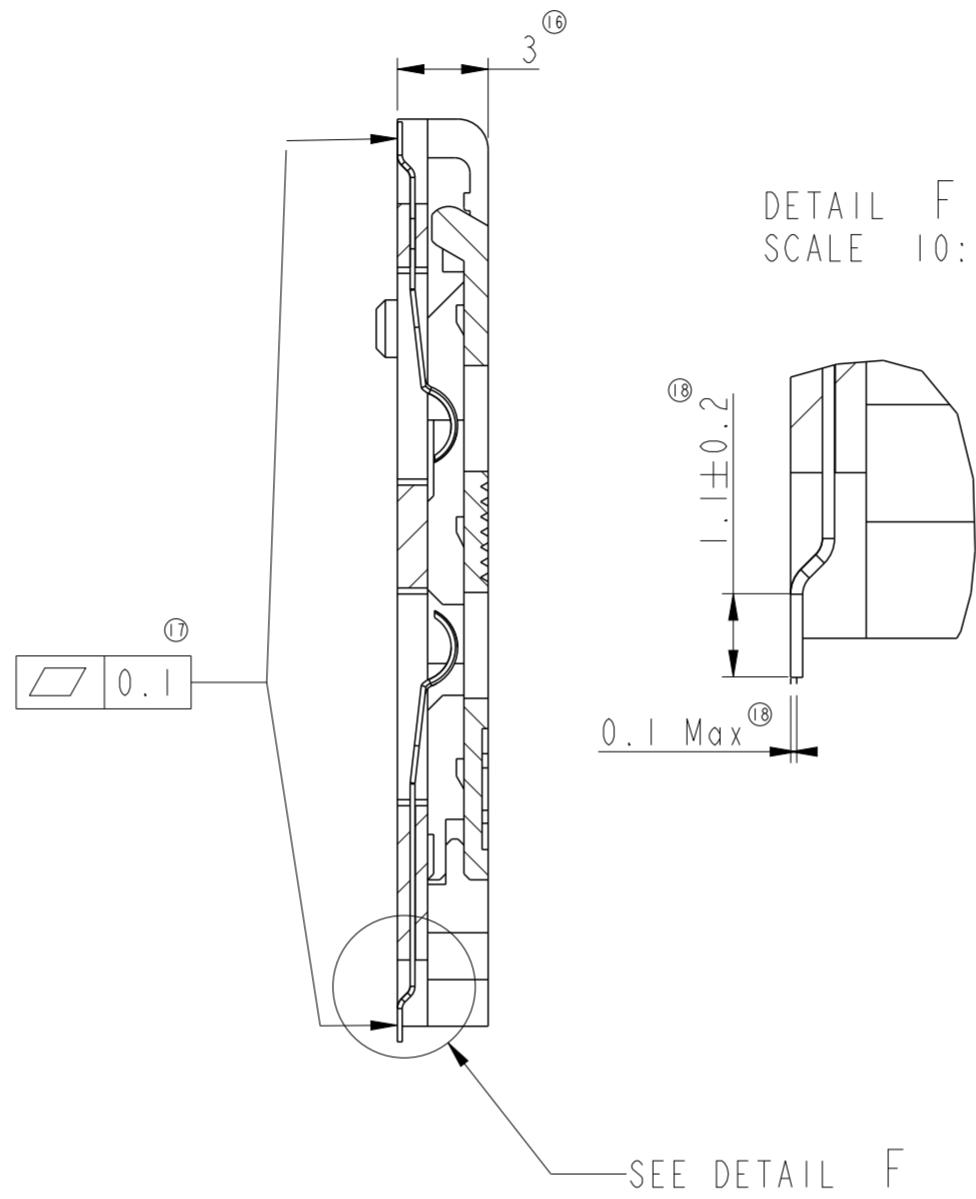


SECTION A-A



7X12S08XXX29LF

LEAD FREE

5: DURABILITY 10,000 OPERATIONS

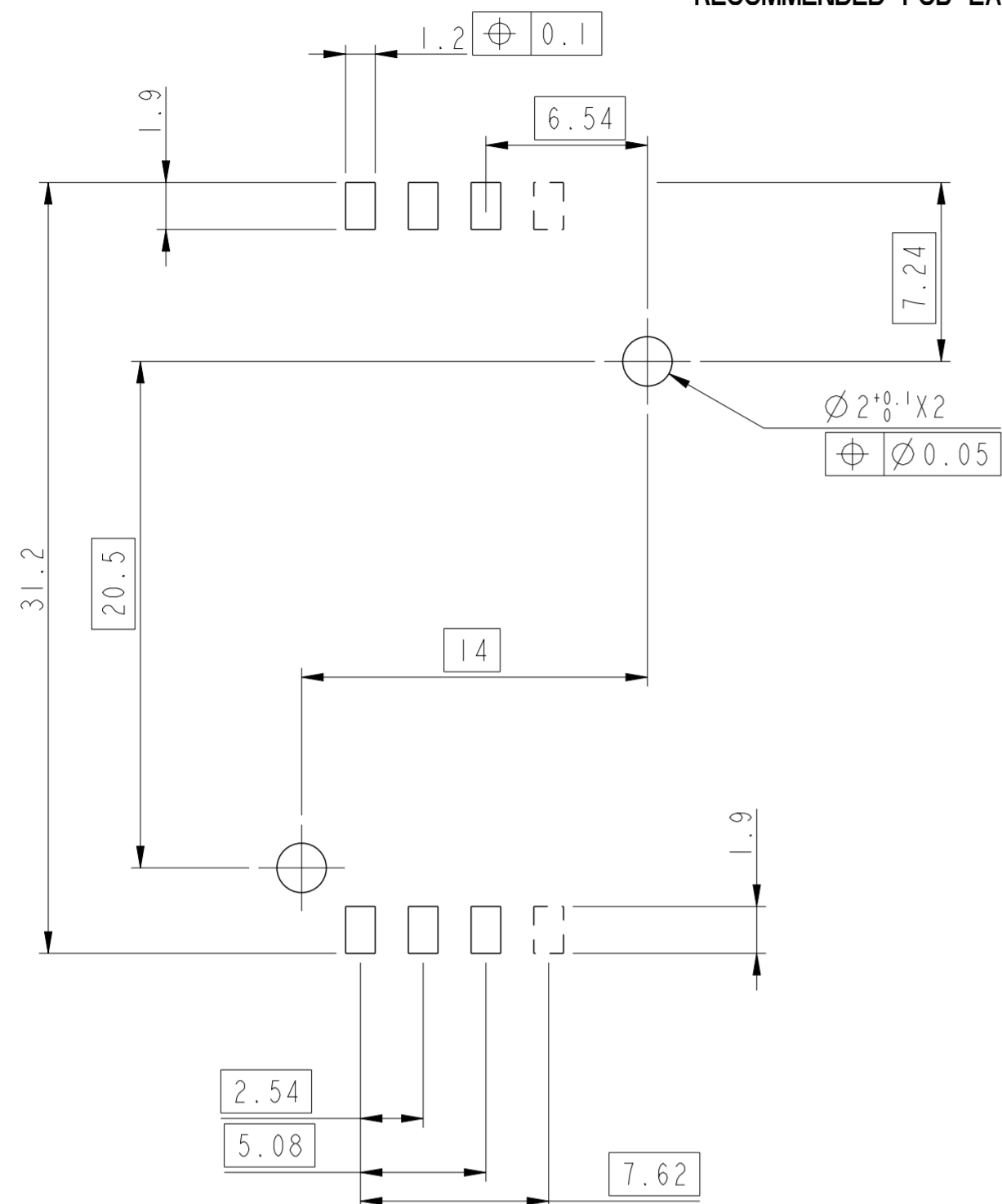
1: 6 CONTACTS
2: 8 CONTACTS

1: TAPE N REEL PACKAGING
3: TRAY PACKAGING

General Tolerances	
0 to 10mm:	±0.1mm
10 to 30mm:	±0.15mm
30 to 60mm:	±0.2mm
60 and more:	±0.3mm

spec ref	--	dr	P-Mathew Nebu	2012/05/08	projection	mm	size	A2	scale	4:1			
tolerance std	ISO 406 ISO 1101	eng	P-Mathew Nebu	2013/08/08		mm	ecn no	ELX-I-15417-2	rel level	Released			
TOLERANCES UNLESS OTHERWISE SPECIFIED		chr	-	appr							K-Paul Biju	2013/08/20	product family
surface	ISO 1302	linear	0.X	±		title ASSY PERFORATED COVER SIM S08	dwg no VRW11880	rev F	Product - Customer Draw				
		angular	0°	±					www.fci.com	cat. no.	see table	Product - Customer Draw	sheet 1 of 2

RECOMMENDED PCB LAYOUT



TECHNICALS SPECIFICATION:

Material:

- Plastic parts in High Temp. Thermoplastic, Colour Grey Rated UL 94V0.
- Contacts in copper alloy.
- Plating: Au / Equivalent PdNi over Ni on contact area
- Solder area : Matte Tin over Ni on solder tails

Electrical features:

- Insulation resistance : $< 1000 \text{ M}\Omega$
- Contact resistance : $< 100 \text{ m}\Omega$
- Voltage Max : $> 1000 \text{ Vrms}$
- Current : min $10 \mu\text{A}$ to max 1 A

Mechanical features:

- 10 000 cycles
- Contact force : 0.5 N per contact

Environmental features:

- Operating Temperature : -40°C a $+90^\circ\text{C}$
- temperature range : -40°C to 100°C

LEAD FREE VERSION:

"This product meets European Union Directives and other country regulations as described in GS-47-0004"

The housing will withstand exposure to 260°C peak temperature for 10seconds in a convection reflow oven.



Copyright FCI.

spec ref	--	dr	P-Mathew Nebu	2012/05/08	projection	mm	size	A2	scale	4:1	
tolerance std	ISO 406 ISO 1101	eng	P-Mathew Nebu	2013/08/08		mm	ecn no	ELX-15417-2	rel level	Released	
TOLERANCES UNLESS OTHERWISE SPECIFIED		chr	-	appr							K-Paul Biju
surface	ISO 1302	linear	0.X	\pm		title ASSY PERFORATED COVER SIM S08	dwg no VRW11880	rev F	Product - Customer Drw		
		angular	0°	\pm					cat. no.	SEE TABLE	sheet 2 of 2
									www.fci.com		