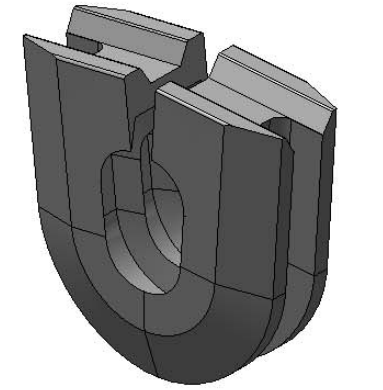
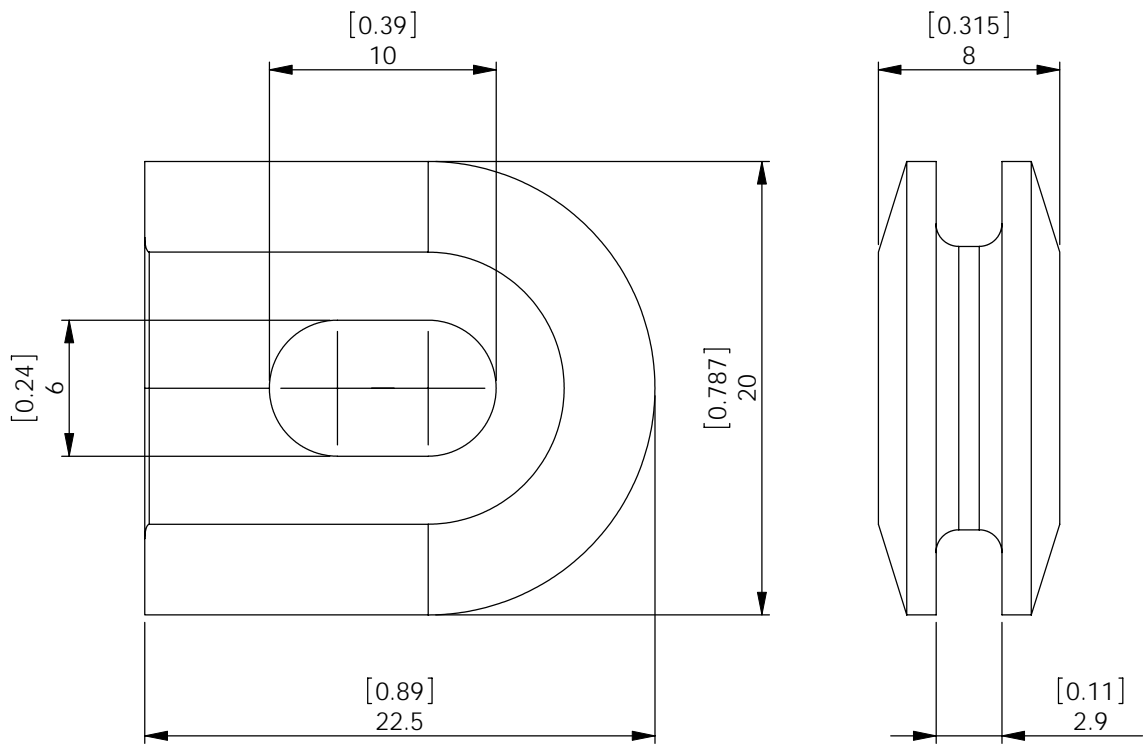
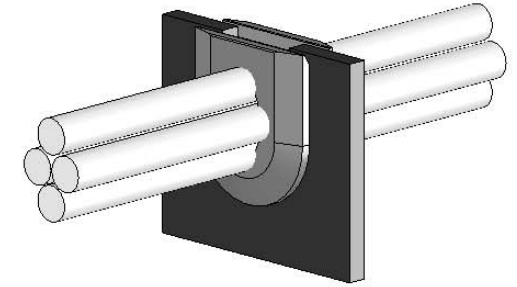
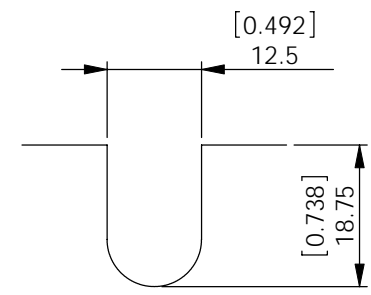


AVAILABLE BY SPECIAL ORDER- NAFTA REGION ONLY

REV.	MODIFICATION.	DATE	DRN
01	NEW SALES DRAWING	24/04/08	MT
02	CO2010827	18/09/09	OW



CUTOUT DETAILS
MAX PANEL THICKNESS 2.8mm



PART IS DIMENSIONED IN INSTALLATION STATE

- NOTES:
- 1) TEMPERATURE RESISTANCE: 180°C
 - 2) PARTS AVAILABLE IN WHITE BY SPECIAL ORDER, ADD WH TO END OF PART NUMBER E.G. CGB-1WH

ALTERNATE UNITS FOR REFERENCE ONLY

<p>INFORMATION CONTAINED IN THIS DOCUMENT IS CONFIDENTIAL TO RICHCO INTERNATIONAL Co. Ltd. AND MAY NOT BE DISCLOSED OR REPRODUCED IN WHOLE OR PART WITHOUT THEIR WRITTEN CONSENT.</p>					
<p>RICHCO, INC. WWW.RICHCO-INC.COM</p>			<p>METRIC PRIMARY UNITS:mm IMPERIAL SECONDARY UNITS:[inches] GENERAL TOLERANCES ±0.25 [0.010] UNLESS OTHERWISE STATED 1 DECIMAL PLACE ± 2 DECIMAL PLACES ± ANGULAR ±1°</p>		<p>THIRD ANGLE</p>
<p>MATERIAL: SILICONE. SHORE A 65 +/- 5 (RMS-379)</p>			<p>COLOUR: BLACK</p>		
<p>DESCRIPTION: CABLE PASSAGE</p>			<p>PART No: CGB-1</p>		
<p>DRG No: 07-026</p>		<p>NPR No: 2005-037</p>		<p>Mass:(g) 3.3</p>	<p>SHEET SIZE A4</p>
<p>DRN MT</p>	<p>DATE 24/04/08</p>	<p>CHKD BO</p>	<p>DATE 21/05/08</p>	<p>SCALE NTS</p>	<p>SHEET No. 1 OF 1</p>