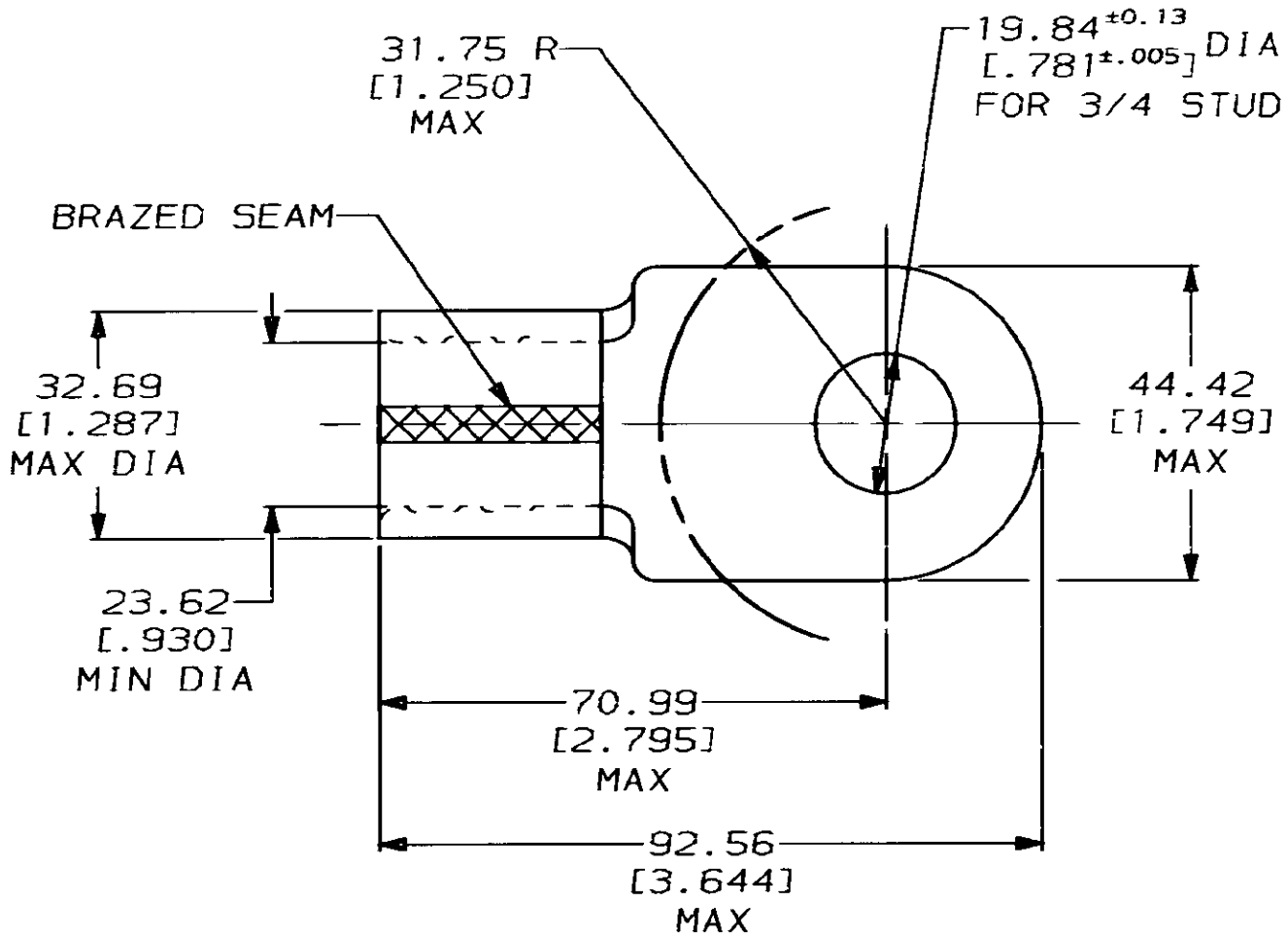


LOC	DIST	P	F	LTR	DESCRIPTION	DATE	APPROVED
G	14			E	REVISED & REDRAWN PER G-5803	6/12/92	DKS / AJK



THIS DRAWING IS UNPUBLISHED. RELEASED FOR PUBLICATION BY AMP INCORPORATED. ALL INTERNATIONAL RIGHTS RESERVED. © COPYRIGHT 19

323222
PART NO

DO NOT SCALE PRINT. UNLESS SPECIFIED DIMENSIONS IN [IN] TOLERANCES ON: 2 PLC DEC ± 0.201.008 3 PLC DEC ± - ANGLES ± -	DR 6/12/92 DK SCHRUM	AMP AMP Incorporated Harrisburg, PA 17105-3608
	CHK 6/26/92 RD HEIN	
MATERIAL COPPER ASTM B-152 ANNEALED	APPD 6/26/92 AJ KAUFMAN	NAME TERMINAL, RING TONGUE, SOLISTRAND™ WIRE SIZE: 203.0mm ² [400] MCM
	APPD 6/26/92 CR RHODS	
FINISH TIN PLATE 0.00254 [0.00100] MIN THK PER MIL-T-10727	PRODUCT SPEC -	SIZE A
	APPLICATION SPEC -	CAGE CODE 00779
WEIGHT -	DRAWING NO C-323222	SCALE 1:1
		SHEET 1 OF 1