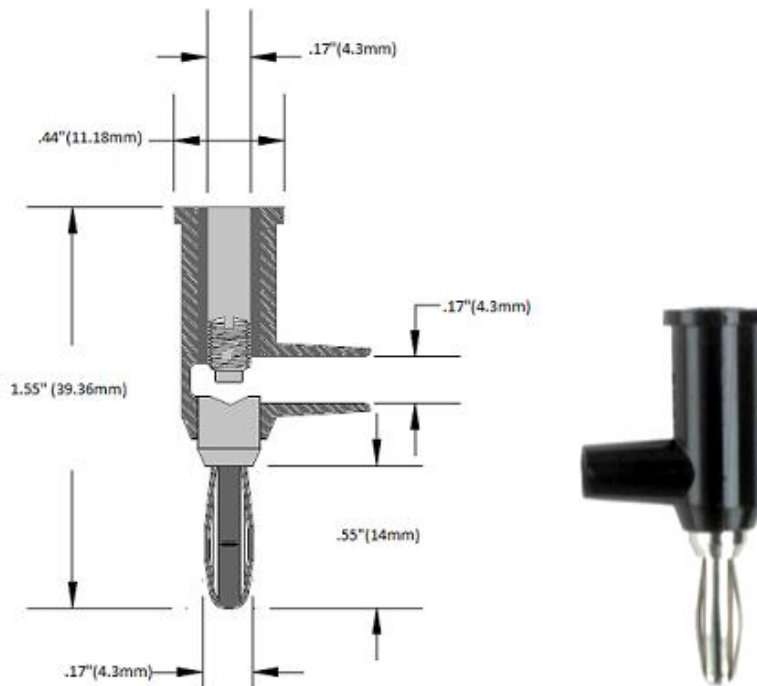




**BU-P1825-\***  
**(SOLDERLESS STACKABLE BANANA PLUG)**



**DESCRIPTION:**

- Solderless, stackable, standard 4mm banana plug designed for various applications.
- For all types of wire 22 to 18 AWG. with insulation OD's less than .17" (4 mm)
- Easily field serviceable.
- Wire enters through side hole and is secured with setscrew.

**MATERIALS:**

Banana Plug: Nickel Plated Beryllium Copper  
Insulation: Polypropylene

**RATINGS:**

15 AMPS  
Hand free testing to 5000 VRMS  
Max Temp: +122°F (50°C)

**STANDARD COLORS:** BU-P1825- \* {\* indicates color: -0 BLACK; -2 RED}