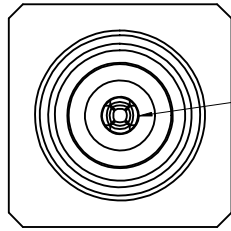


MATERIALS & FINISHES:

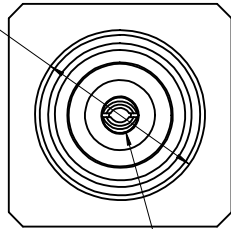
BODY: BRASS
PLATING: SEE TABLE

CONTACT: BERYLLIUM COPPER
PLATING: GOLD 30u"

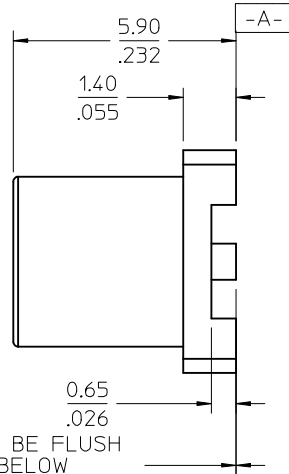
INSULATOR: TEFLON



73415-1696
4 SLOT CONTACT

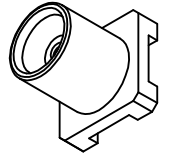
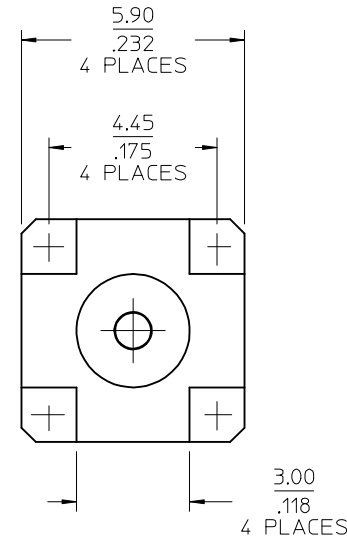


4.50
± .177

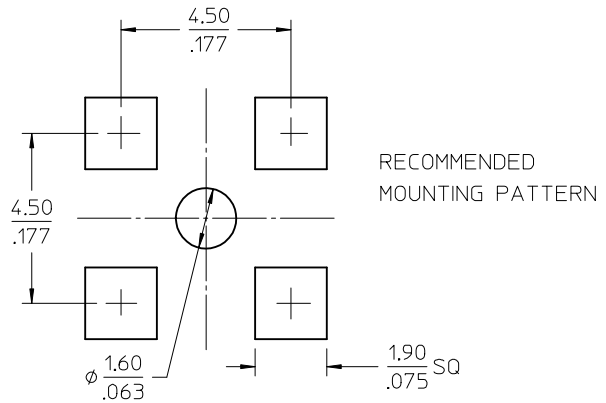


CONTACT TO BE FLUSH
- TO .004(0.10) BELOW
SURFACE

-A-



NOTE:
73415-1696 AND 73415-1697 WITH 4 SLOTS.
ALL OTHERS WITH 2 SLOT CONTACT.



RECOMMENDED
MOUNTING PATTERN

| | | |
|------------|-------------------------------------|--------------|
| 73366-6510 | 73415-1691 WITH T&R SEE SHEET2 NOTE | GOLD (1 u") |
| 73415-1699 | ONE PIECE PER BAG | GOLD (1 u") |
| 73415-1698 | T&R SEE SHEET2 NOTE | GOLD (30 u") |
| 73415-1697 | 73415-1696 WITH T&R SEE SHEET2 NOTE | GOLD (1 u") |
| 73415-1696 | GENERAL | GOLD (1 u") |
| 73415-1695 | 73415-1690 WITH T&R SEE SHEET2 NOTE | NICKEL |
| 73415-1694 | 73415-1691 PACKAGING SMALL TRAY | GOLD (1 u") |
| 73415-1693 | 73415-1690 PACKAGING SMALL TRAY | NICKEL |
| 73415-1692 | 73415-1691 WITH T&R SEE SHEET2 NOTE | GOLD (1 u") |
| 73415-1691 | BAG (500 PCS PER BAG) | GOLD (1 u") |
| 73415-1690 | BAG (500 PCS PER BAG) | NICKEL |
| PART NO. | PACKAGING | BODY PLATING |

| | |
|---------------|-------------|
| PS-89675-1830 | PERFORMANCE |
| SPECIFICATION | DESCRIPTION |

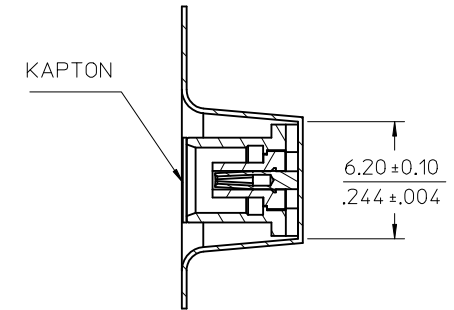
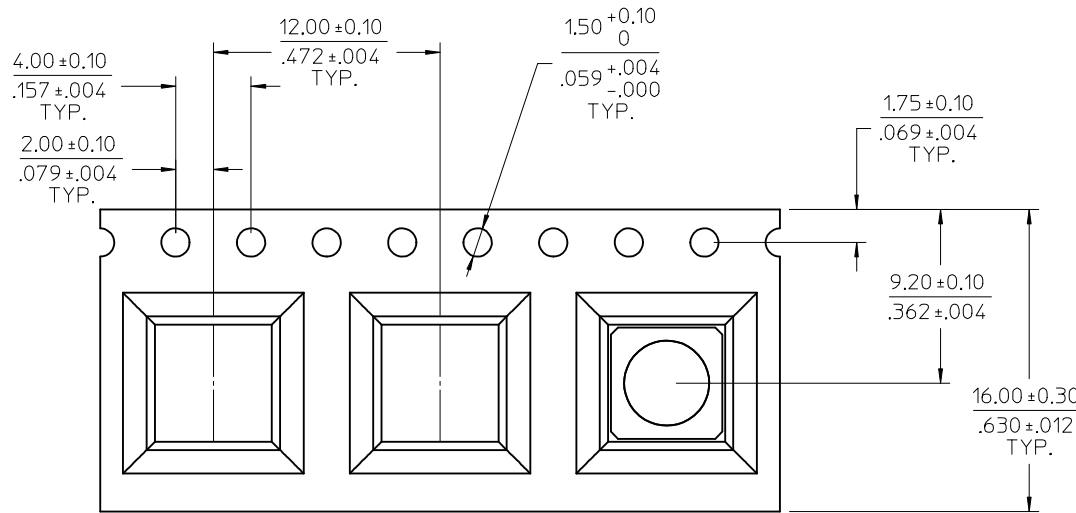
| | | |
|--|---|-------------|
| CHG:ADDED P/N 73366-6510 PDR16032222 | EC NO: URF2016-0663 DRAWN:YCHENG 2016/03/30 CHKD: APPR:YCHENG 2016/04/07 | DESCRIPTION |
| B4 | | REV |

| | |
|-----------------|---------------------------------------|
| QUALITY SYMBOLS | GENERAL TOLERANCES (UNLESS SPECIFIED) |
| ▽=0 | mm INCH |
| ▽=0 | 4 PLACES ± --- ± --- |
| | 3 PLACES ± --- ± --- |
| | 2 PLACES ± --- ± --- |
| | 1 PLACE ± --- ± --- |
| | ANGULAR ± 2 ° |

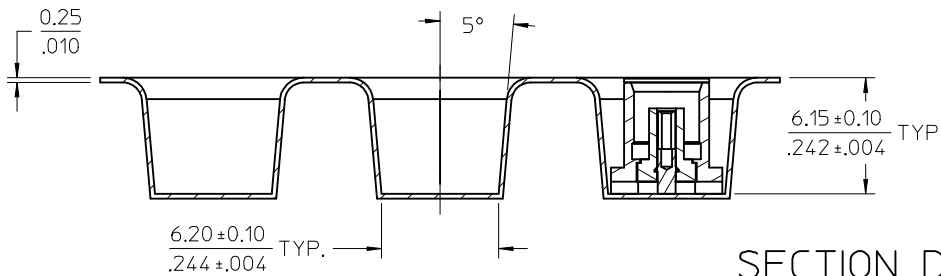
| | |
|-------------|------------|
| DRAWN BY | DATE |
| LMB | 2000/11/9 |
| CHECKED BY | DATE |
| SSS | 2000/11/9 |
| APPROVED BY | DATE |
| JWIENER | 2010/04/23 |

| | | | |
|-------------------------|-------|--------------|------------------------|
| DIMENSION STYLE | SCALE | DESIGN UNITS | THIRD ANGLE PROJECTION |
| MM/IN | | METRIC | |
| TITLE | | | |
| MCX PCB/SMT JACK 50 OHM | | | |
| MCX-J/PCB/SMT | | | |
| EWR-1148 | | | |
| MATERIAL NO. | | | |
| SEE TABLE | | | |
| DOCUMENT NO. | | | |
| SD-73415-169 | | | |
| SHEET NO. | | | |
| 1 OF 2 | | | |

| | |
|---|--|
| MOLEX INCORPORATED | |
| THIS DRAWING CONTAINS INFORMATION THAT IS PROPRIETARY TO MOLEX INCORPORATED AND SHOULD NOT BE USED WITHOUT WRITTEN PERMISSION | |



SECTION B-B



SECTION D-D

NOTE:
750 CONNECTOR PER REEL ON 13 INCH REEL,
16mm TAPE, 12mm CAVITY PITCH
TAPE CAP ON EACH PART

| | | | | | | | | |
|--|-------------------------------|--|----------------------|---|---------------------|--------------|------------------------|--|
| CHG: SEE SHEET1 EC NO: URF2016-0663 DRAWN: YCHENG 2016/03/30 CHKD: APPR: YCHENG 2016/04/07 | QUALITY SYMBOLS ▽=0 ▽=0 | GENERAL TOLERANCES (UNLESS SPECIFIED) | | DIMENSION STYLE | SCALE | DESIGN UNITS | THIRD ANGLE PROJECTION | |
| | | | | MM/IN | | METRIC | | |
| | | 4 PLACES ± --- ± --- | 3 PLACES ± --- ± --- | 2 PLACES ± --- ± --- | 1 PLACE ± --- ± --- | DRAWN BY | DATE | TITLE |
| | | ANGULAR ± 2° | | | | LMB | 2000/11/9 | MCX PCB/SMT JACK 50 OHM MCX-J/PCB/SMT EWR-1148 |
| B4 | DESCRIPTION REV | DRAFT WHERE APPLICABLE MUST REMAIN WITHIN DIMENSIONS | | APPROVED BY | DATE | MATERIAL NO. | | |
| | | | | JWIENER | 2010/04/23 | DOCUMENT NO. | | |
| | | | | SEE SHEET1 | | SD-73415-169 | | SHEET NO. 2 OF 2 |
| | | | | THIS DRAWING CONTAINS INFORMATION THAT IS PROPRIETARY TO MOLEX INCORPORATED AND SHOULD NOT BE USED WITHOUT WRITTEN PERMISSION | | | | |