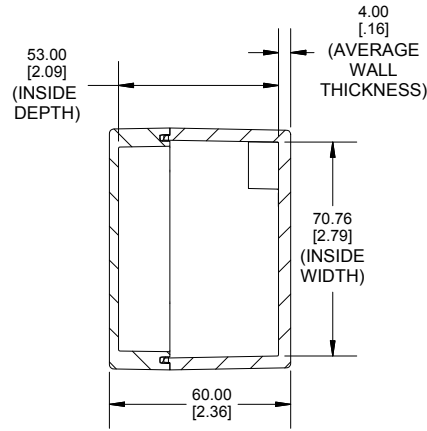
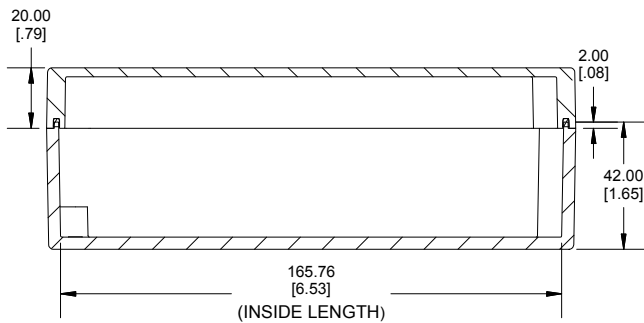


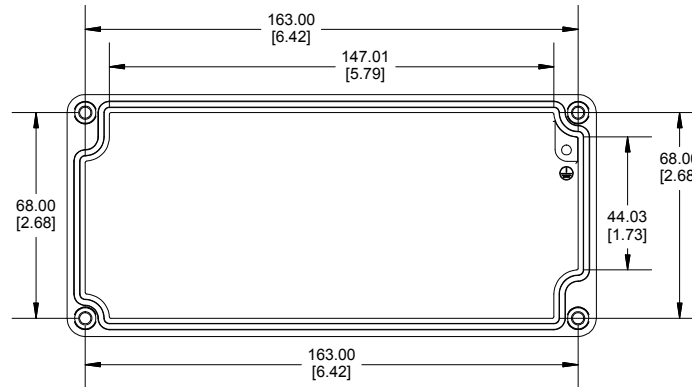
TOP VIEW



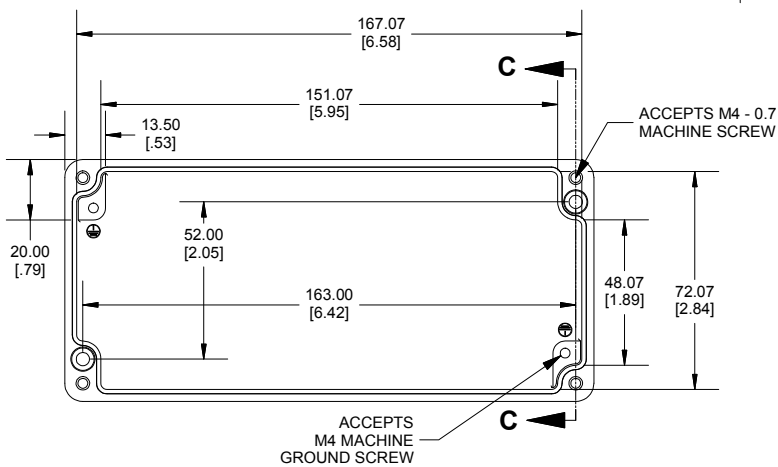
**SECTION A-A
END VIEW**



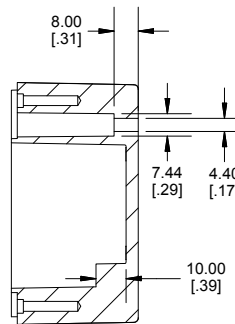
**SECTION B-B
SIDE VIEW**



INSIDE LID



INSIDE BOX



**SECTION C-C
MOUNTING HOLE**

UL US LISTED
FILE #E65324
NEMA 4, 4X, 6, 6P

Enclosures can be Factory Modified (Milling, Drilling, Printing etc.)
Contact Factory mjm@hammondmfg.com for quotes
Solid models of this enclosure available in STEP or IGES.
(Part number and text placement/orientation on our products are subject to change,
we do not recommend using them as a locating reference for modification purposes)

NOTE
Purchased assembly includes box, lid, silicone gasket,
4 cover screws and 3 ground screws with washers.
Box and lid are made from Diecast Aluminum Alloy.

Recommended cover screw Torque 5-7.5 lbf.in (50 -75 cN.m)

| 1590Z135 | |
|--|------------|
| 1590Z135 Enclosure | |
| Natural Enclosure | 1590Z135 |
| Black Enclosure | 1590Z135BK |
| Grey Enclosure - RAL7001 Gloss | 1590Z135GY |
| ACCESSORIES | |
| Pre-Formed Silicone Gasket (2 Pack) | 1590Z130G |
| Copper Ground Hardware (50 Pack) [M4 - 0.7 X 6mm / M4 Washer] | SCGM4-50 |
| Stainless Steel Cover screws (30 pkg) [M4 - 0.7 x 30mm] | SC574-30 |

1590Z135
www.hammondmfg.com

Dimensions:
mm
[inches]