

SPRING-LOADED CONNECTORS

SERIES 419, 499 • .100" GRID TARGET CONNECTORS FOR SPRING-LOADED ASSEMBLIES • DOUBLE ROW STRIPS

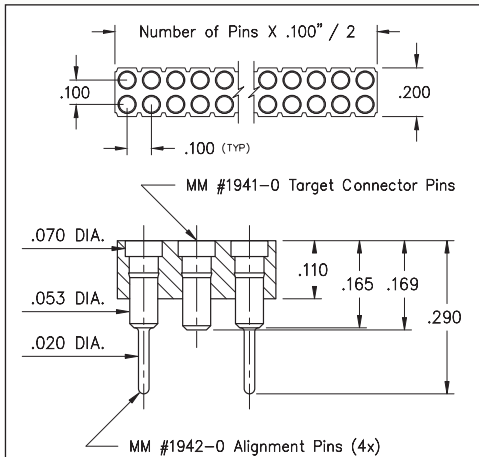


FIG. 1

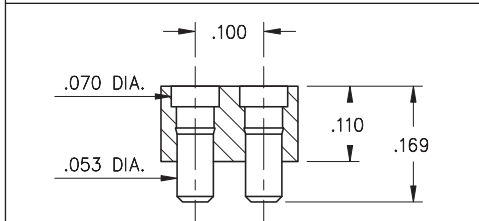


FIG. 2

Coplanarity .005" For Pin counts >20 positions, consult Technical Support.

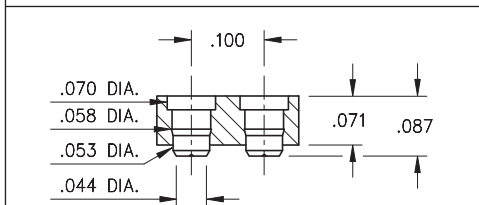


FIG. 3

Coplanarity .005" For Pin counts >20 positions, consult Technical Support.

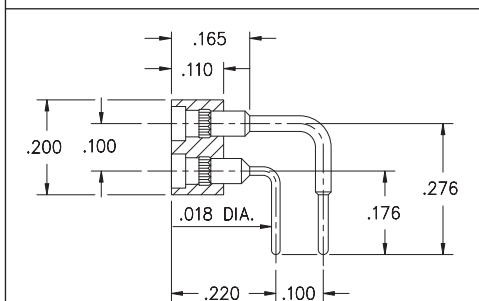
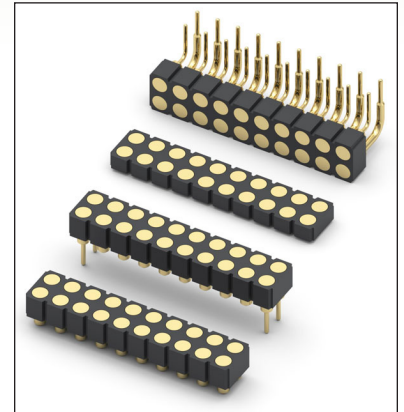


FIG. 4

- Series 419 and 499 Spring Target Connectors, supplied in double row strips. Available in SMT and right angle through-hole termination configurations
- Target Connectors provide an excellent gold-plated conductive mating surface for spring loaded connectors. These series are offered with a flat face for making contact with our standard .042" dia. spring pin plungers
- Target connectors use MM #1940, #1941/1942, #1953 and #1954 pins. See pages 218 & 223.3 for details
- Insulators are high temperature thermoplastic



ORDERING INFORMATION

FIG. 1	Series 419...042 Surface Mount w/ Alignments Pins
	419-10-2__-30-042000 Specify number of pins 06-72
FIG. 2	Series 419...041 Surface Mount
	419-10-2__-30-041000 Specify number of pins 04-72
FIG. 3	Series 419...054 Low Profile Surface Mount
	419-10-2__-30-054000 Specify number of pins 04-72
FIG. 4	Series 499...008 Right Angle Solder Tails
	499-10-2__-10-008000 Specify number of pins 02-64



XX=Plating Code
See Below

For
Electrical, Mechanical
& Environmental Data,
See page 264

SPECIFY PLATING CODE XX=	10 ◆		
Pin Plating 	10 μ" Au		

