

W3G200-HD01-01

EC axial compact fan

sickled blades (S series)



ebm-papst Mulfingen GmbH & Co. KG

Bachmühle 2 · D-74673 Mulfingen

Phone +49 7938 81-0

Fax +49 7938 81-110

info1@de.ebmpapst.com

www.ebmpapst.com

Limited partnership · Headquarters Mulfingen
County court Stuttgart · HRA 590344

General partner Elektrobau Mulfingen GmbH · Headquarters Mulfingen
County court Stuttgart · HRB 590142

Nominal data

Type	W3G200-HD01-01	
Motor	M3G055-BD	
Phase		1~
Nominal voltage	VAC	230
Nominal voltage range	VAC	200 .. 240
Frequency	Hz	50/60
Type of data definition		ml
Speed	min ⁻¹	2900
Power input	W	54
Current draw	A	0.55
Max. back pressure	Pa	96
Min. ambient temperature	°C	-25
Max. ambient temperature	°C	60

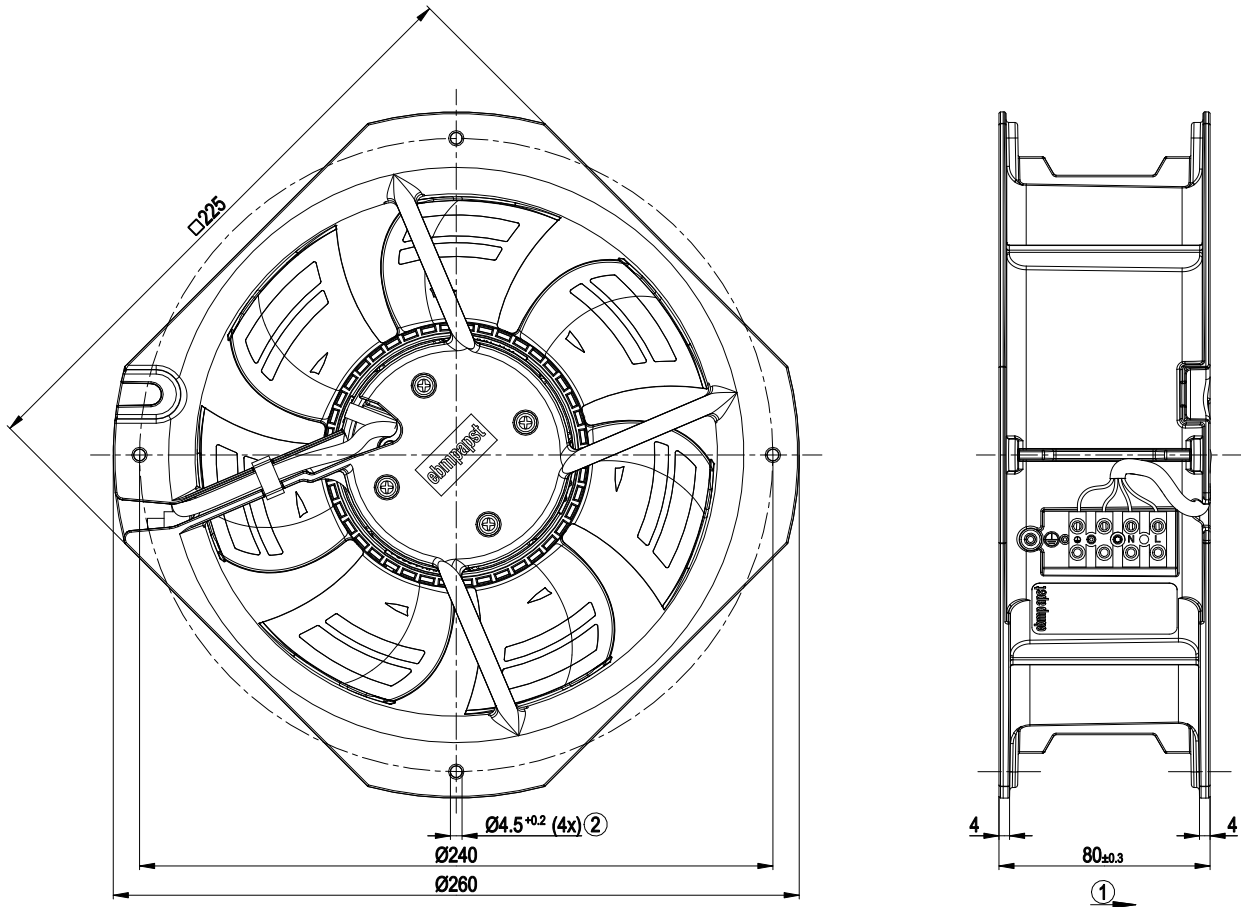
ml = Max. load · me = Max. efficiency · fa = Running at free air · cs = Customer specs · cu = Customer unit
Subject to alterations



Technical features

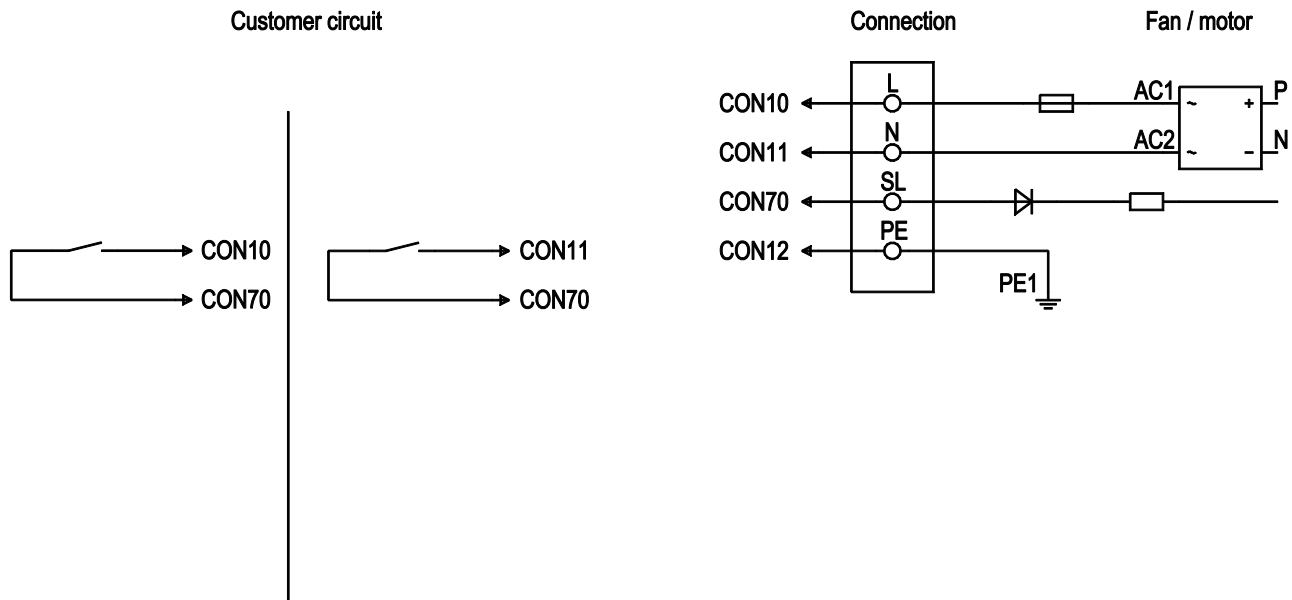
Mass	1.6 kg
Size	200 mm
Material of blades	Press-fitted sheet steel blank, sprayed with PP plastic
Material of wall ring	Die-cast aluminium
Number of blades	7
Direction of air flow	"V"
Direction of rotation	Counter-clockwise, seen on rotor
Type of protection	IP 54
Insulation class	"B"
Max. permissible ambient motor temp. (transp./ storage)	+ 80 °C
Min. permissible ambient motor temp. (transp./storage)	- 40 °C
Mounting position	Any
Condensate discharge holes	None, open rotor
Operation mode	S1
Motor bearing	Ball bearing
Technical features	<ul style="list-style-type: none"> - Speed adjustment input (230 V) - Output limit - Motor current limit - Soft start - Over-temperature protected electronics / motor - Line undervoltage detection
Speed steps	2
EMC interference immunity	Acc. to EN 61000-6-2 (industrial environment)
EMC harmonics	Acc. to EN 61000-3-2/3
EMC interference emission	Acc. to EN 61000-6-3 (household environment)
Touch current acc. IEC 60990 (measuring network Fig. 4, TN system)	<= 3.5 mA
Motor protection	Locked-rotor protection
Cable exit	Variable
Protection class	I (if protective earth is connected by customer)
Product conforming to standard	EN 60335-1; CE
Approval	CCC

Product drawing



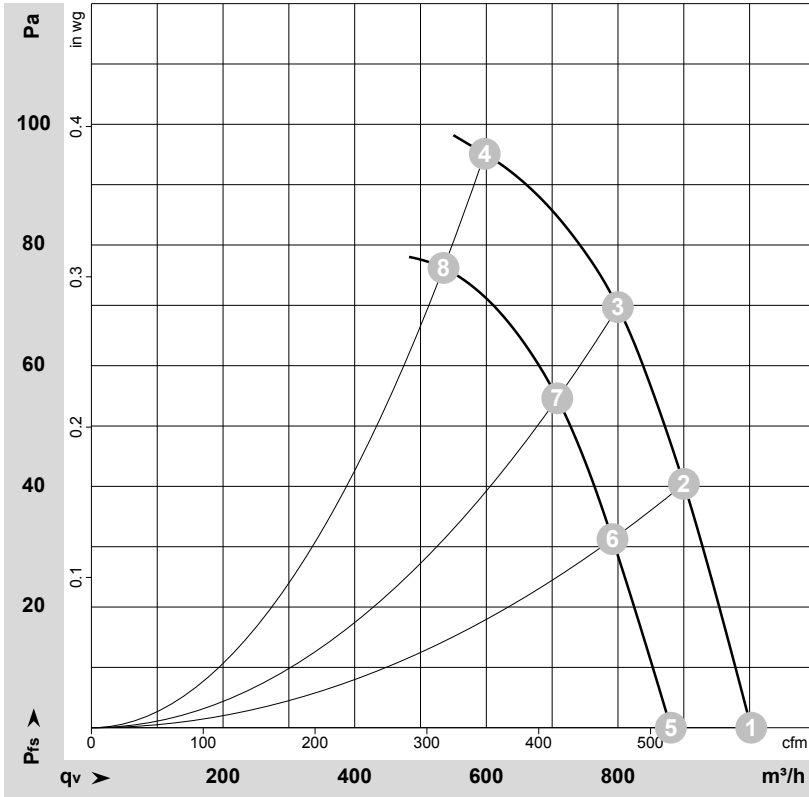
- 1 Direction of air flow "V"
- 2 For self-tapping M5 screws

Connection screen



No.	Conn.	Designation	Colour	Function / assignment
	CON 10	L	black	Power supply 230 VAC, 50 - 60 Hz, see type plate for voltage range
	CON 11	N	blue	Neutral conductor
	CON 12	PE	green/yellow	Protective earth
	CON 70	SL	brown	Speed selection: switch open = speed 1; switch closed = speed 2

Charts: Air flow 50 Hz



$\rho = 1,15 \text{ kg/m}^3 \pm 2\%$

Measurement: LU-155339
Measurement: LU-154374

Air performance measured as per ISO 5801 Installation category A. For detailed information on the measuring set-up, please contact ebm-papst. Suction-side noise levels: LwA measured as per ISO 13347 / LpA measured with 1m distance to fan axis. The values given are valid under the measuring conditions mentioned above and may vary according to the actual installation situation. With any deviation from the standard set-up, the specific values have to be checked and reviewed with the unit installed.

Measured values

	U	f	n	P _{ed}	I	LpA _{in}	LwA _{in}	qv	p _{fs}
	V	Hz	min ⁻¹	W	A	dB(A)	dB(A)	m ³ /h	Pa
1	230	50	2970	50	0.49	58	65	1000	0
2	230	50	2885	55	0.53	57	64	900	40
3	230	50	2825	58	0.56	58	65	800	70
4	230	50	2900	54	0.55	64	71	600	96
5	230	50	2645	36	0.37			880	0
6	230	50	2575	39	0.40			790	32
7	230	50	2525	42	0.42			710	55
8	230	50	2510	42	0.43			535	76

U = Supply voltage · f = Frequency · n = Speed · P_{ed} = Power input · I = Current draw · LpA_{in} = Sound pressure level inlet side · LwA_{in} = Sound power level inlet side · qv = Air flow
p_{fs} = Pressure increase

