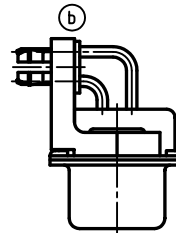
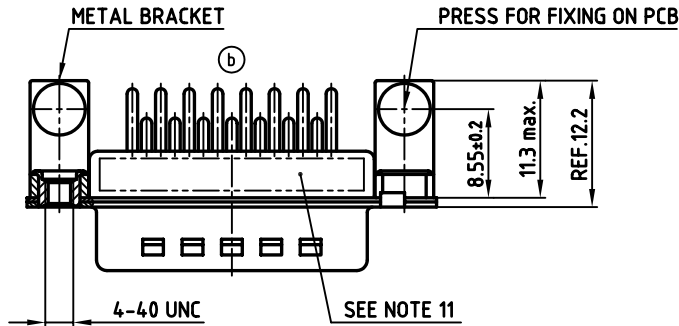
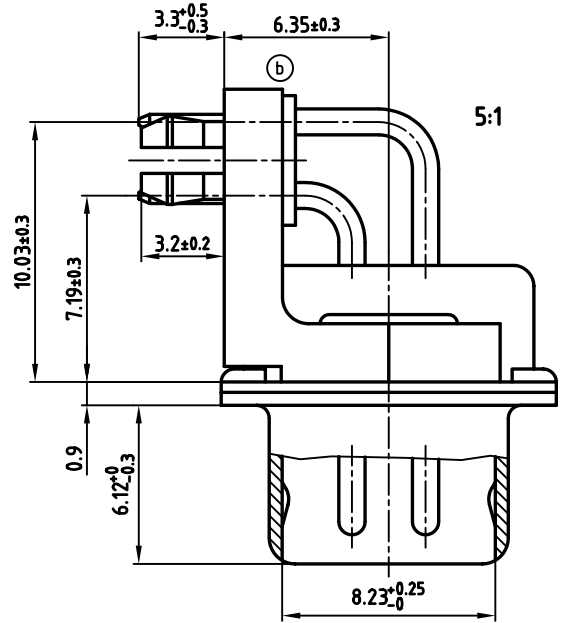
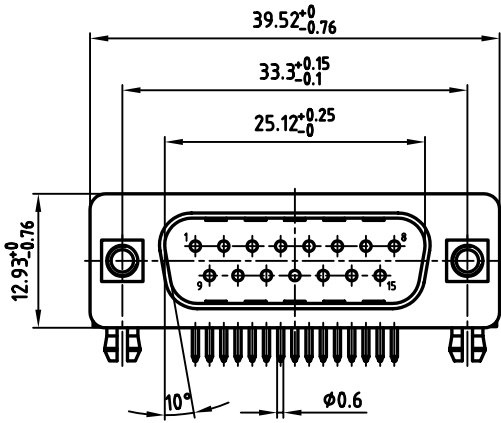
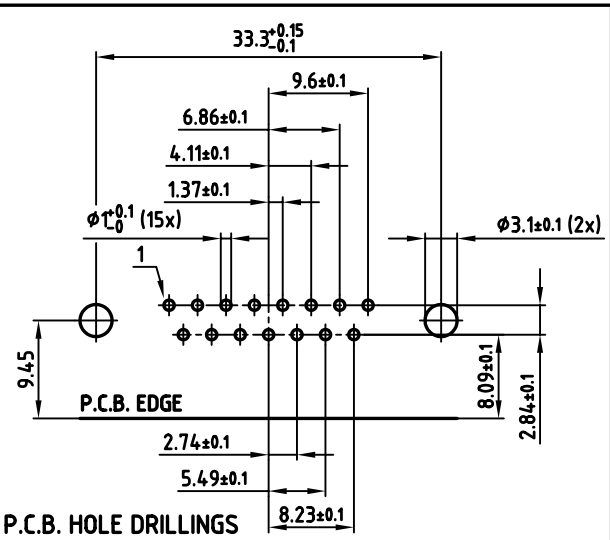


used for: D-SUB FILTER



Directive 2002/95/EC  
"RoHS"  
Compliant



**NOTES:**

1. METALSHELLS: STEEL; min. 315µm TIN over 40-80µm NICKEL
2. INSULATORS: PBT GF UL 94 V-0, BLACK
3. CONTACTS: COPPER ALLOY  
PLATING: 8µm HARD GOLD OVER min. 50µm NICKEL
4. METAL BRACKET: ZINC DIE CAST; 300µm COPPER/40-120µm NICKEL/120-200µm TIN
5. THREADED INSERT: COPPER ALLOY; min. 200µm TIN over 80µm NICKEL
6. PCB-SNAP: COPPER ALLOY; min. 200µm TIN over 80µm NICKEL  
PCB-HOLE: Ø3.1±0.1; PCB THICKNESS 1.6mm
7. P.C.B. HOLE DRILLINGS ON SHEET 2
8. CAPACITANCE: CONTACTS 1-6, 8, 9, 11-13 = 180pF ±20%  
CONTACTS 7, 10, 14, 15 = ≤ 20pF
9. DIELECTRIC WITHSTANDING VOLTAGE: 424 VDC
10. MAXIMUM TORQUE VALUE FOR THREAD: 6 in.LB
11. CONNECTOR IS PART MARKED: FDC2XPTAM39S181A CONEC ABC

APPROVAL # FREIGABE # DEBLOCAGE # AUTORIZACION # APPROVAL

CUSTOMER APPROVAL DATE:

NAME: TITLE:

COMPANY NAME:

APPROVAL # FREIGABE # DEBLOCAGE # AUTORIZACION # APPROVAL

THIS DRAWING MAY NOT BE COPIED OR REPRODUCED IN ANY WAY, AND MAY NOT BE PASSED ON TO A THIRD PARTY, WITHOUT WRITTEN PERMISSION. OWNERSHIP AND COPYRIGHT OF CONEC GMBH DO NOT ALTER CAD DRAWING BY HAND

Customer Specific Product			tolerance	dim. in mm
2005	date	name		
drawn	13.01.	Lehmenkühler		
appd.	13.01.	Mickenbecker		
norm	DIN 41652			
d-old				
4 x b	Ä 2753	17.07.2007	Lehmen	
a	Origin			
rev.	description	date	name	

scale: 2:1 (5:1)

material: SEE NOTES

title: D-SUB FILTER MALE 90°  
15pos. 0.318inch  
with threaded insert, metal bracket, snap

dwg no: AutoCAD 2006 DIN-A  
24K1A592 3 sh: 1/1

part no: FDC2XPTAM39S181A