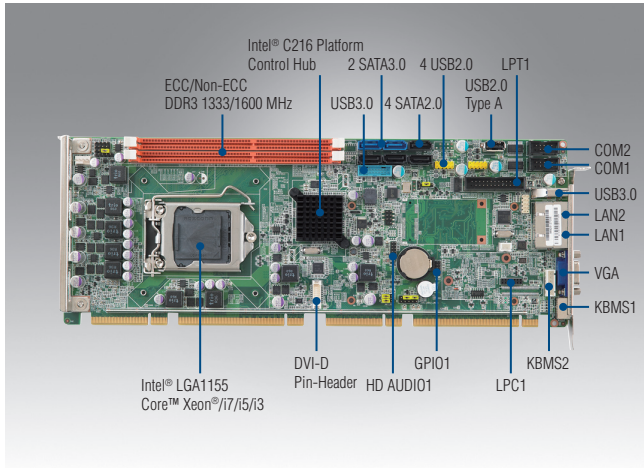


PCE-7127

LGA1155 Intel® Xeon®/Core™i3/ Pentium® SHB DDR3/SATA 3.0/USB3.0/ Dual GbE



Features

- LGA1155 Intel® Xeon®/Core™i3/Pentium® processors
- Dual Channel (ECC) DDR3 1333/1600 up to 16 GB
- Supports USB3.0, SATA3.0, SW Raid 0, 1, 5, 10, and TPM 1.2 (optional)
- Out-of-band remote management with iAMT8.0 and IPMI (Optional)
- Supports embedded software APIs and utilities

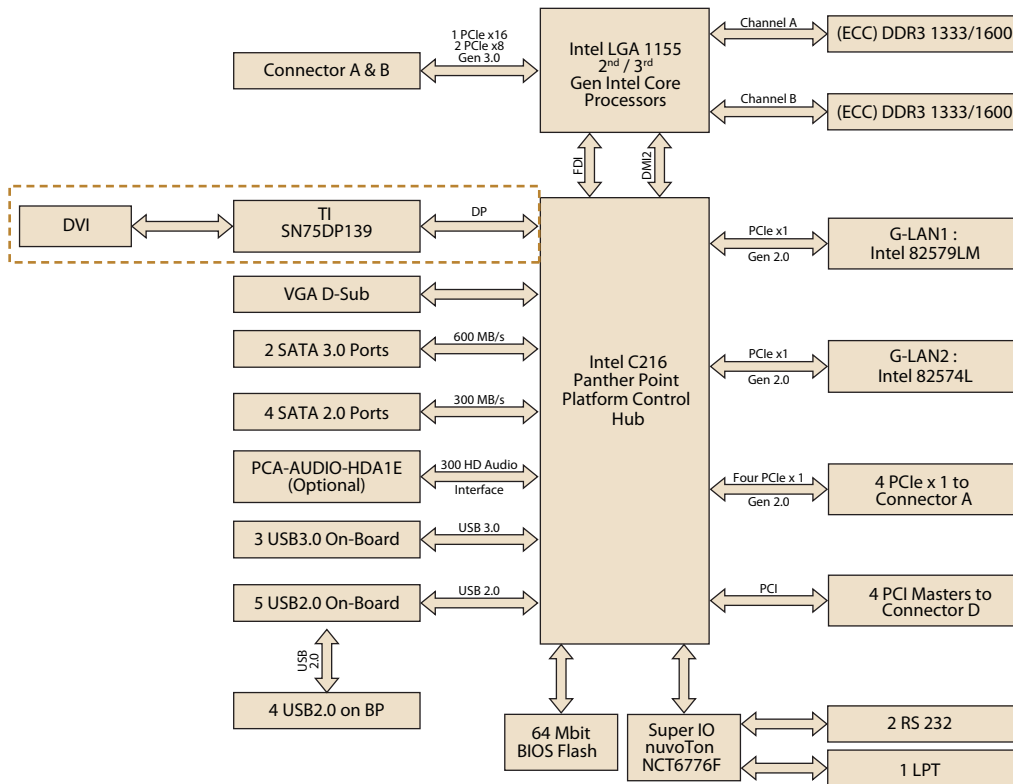
Quiet

CE FCC

Specifications

Processor System	CPU	Xeon E3-1275V2/ E3-1225V2	i7-3770	i5-3550S	Core i3-3220	Pentium G2120	Pentium G850	Celeron G540	
	Base Frequency	3.5/ 3.2 GHz	3.4 GHz	3.0 GHz	3.3 GHz	3.1 GHz	2.9 GHz	2.5 GHz	
	L3 Cache	8/ 8 MB	8 MB	6 MB	3 MB	3 MB	3 MB	2MB	
	SKU/Chipset	Intel C216							
	BIOS	AMI 64Mbit SPI Flash							
Bus	PCI-Express	One x16 or two x8, plus four x1 to backplane Gen. 2.0							
	PCI	Four 32-bit 33 MHz PCI Masters to backplane							
Memory	Technology	Dual channel(ECC) DDR3 1333/1600 UDIMM							
	Max. Cap.	16 GB (8 GB per DIMM)							
	Socket	DDR3 240-pin DIMM x 2							
Graphics	Controller	Chipset integrated Intel HD Graphics							
	VRAM	Shared system memory is subject to OS							
	Video Output	15-Pin VGA D-sub Connector x1/DVI-D connector x 1 (Pin Header)							
Ethernet	Interface	10/100/1000 Mbps							
	Controller	LAN 1: Intel 82579LM LAN 2: Intel 82574L							
	Connector with LED	RJ-45 x 2							
SATA	Ports/Max. Transfer Rate	SATA 2.0 x 4 (300 MB/sec) SATA 3.0 x 2 (600 MB/sec)							
	Raid	SW Raid 0, 1, 5, 10							
I/O Interface	USB	Nine USB2.0 (Pin-header*4+USB Type A*1+ 4 on backplane); Three USB3.0 (Pin-Header*2+Rear*1)							
	Serial	2 x RS-232 Pin-Header							
	Parallel	1 (SPP/EPP/ECP)							
	PS/2	1 (Y cable for mouse and keyboard is included in the package)							
Watchdog Timer	Output	System reset							
	Interval	Programmable 1-255 sec							
Miscellaneous	Audio	Intel High Definition audio interface (Required an audio extension module P/N: PCA-AUDIO-HDA1E)					Operating Non-operating		
Environment	Temperature/Humidity	0 ~ 60° C (32~140° F); It subjects to CPU TDP and system thermal solution.				-40 ~ 85°C and 60° C @ 95% RH			
		Operating humidity: 40° C @ 85% RH Non-Condensing				Non-Condensing			
Physical	Dimensions	338 mm (L) x 122 mm (W) (13.3" x 4.8")							

Block Diagram



Ordering Information

Part Number	PCH	Memory	Backplane	LAN	VGA	DVI-D	COM	SATA II	SATA III	USB 2.0	USB 3.0	S/W Raid	iAMT	IPMI
PCE-7127G2-00A1E	C216	ECC/Non-ECC	PCE-5BXX/7BXX*	2	Yes	Yes*	2	4	2	9	3	Yes	Yes	Optional

* Note: 1. PCE-7127 supports all Advantech PCE-5BXX/7BXX backplanes except PCE-7B10-04A1E
 2. Output DVI-D signal only (Required DVI-D cable)

Packing List

Part Number	Description	Quantity
1700003194	Serial ATA HDD data cable	x2
1700022749-11	Serial ATA HDD power cable	x1
1701260305	COM + printer ports cable kit	x1
1700060202	Keyboard and mouse Y-cable	x1
1700008461	4-port USB cable kit	x1
9689000068	Jumper package	x1
2190000902	Warranty Card	x1
2006512700	Startup manual	x1
2066512700	Utility CD	x1

Optional Accessories

Part Number	Description
1960047831N001	PCE-7127 optimized CPU Cooler (2U)
PCA-AUDIO-HDA1E	Audio extension module
PCA-TPM-00A1E	Trusted Platform Module compliant TCG 1.2
1700020277-01	2 ports of USB 3.0 cable W/ BKT(30cm)
1700008822-11	DVI-D Cable
PCA-COM232-00A1E	4 Ports RS-232 Module by LPC

I/O View



PCE-7127G2-00A1E