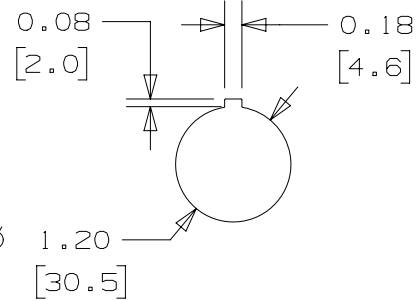
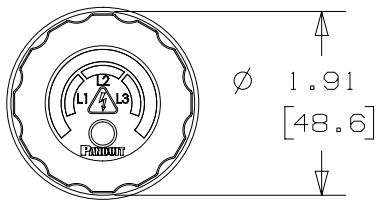


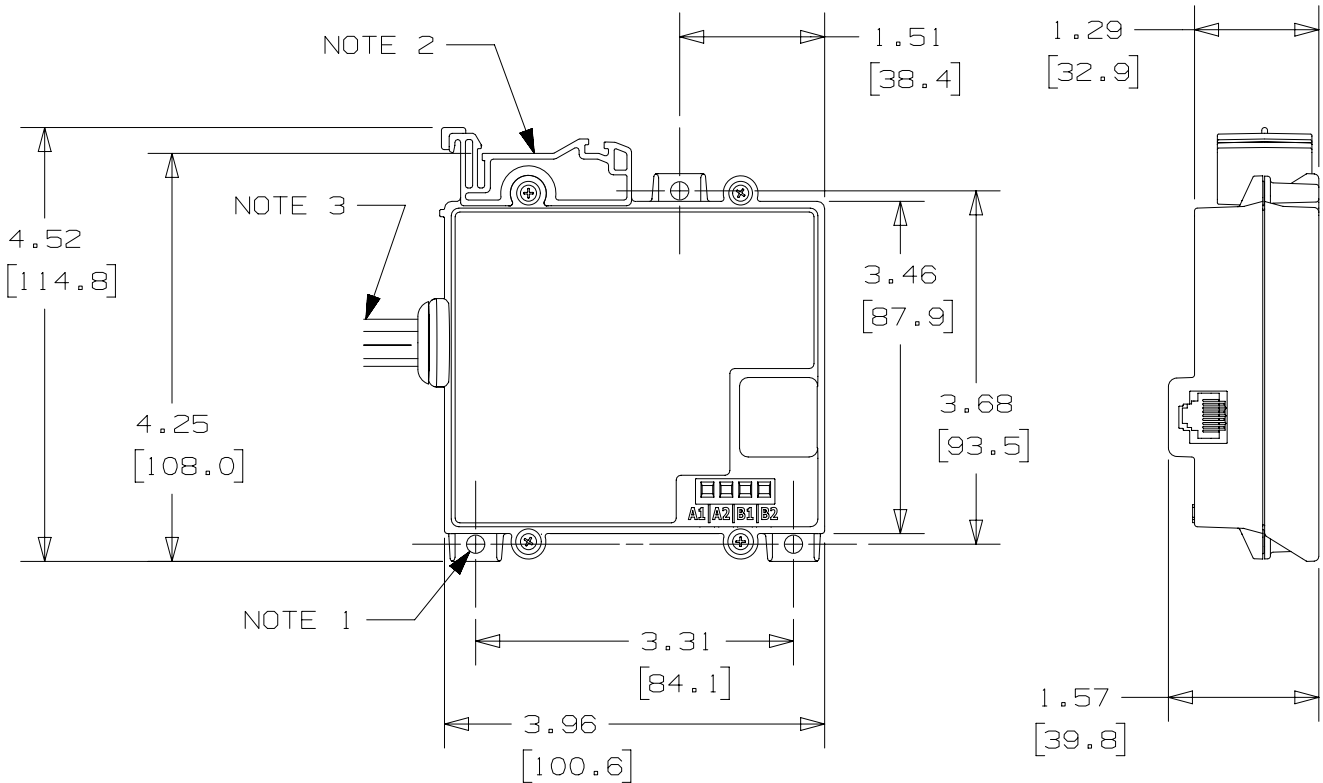
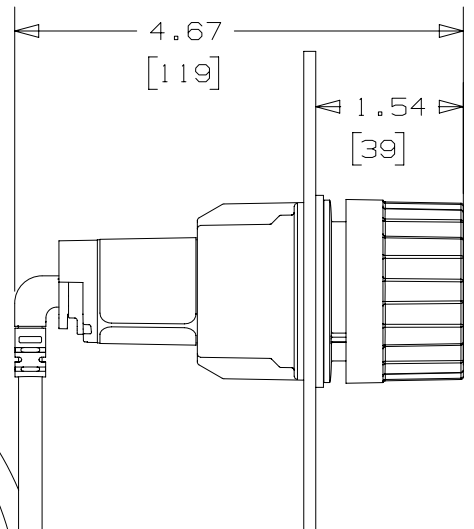
SYSTEM CABLE

INDICATOR
MODULE

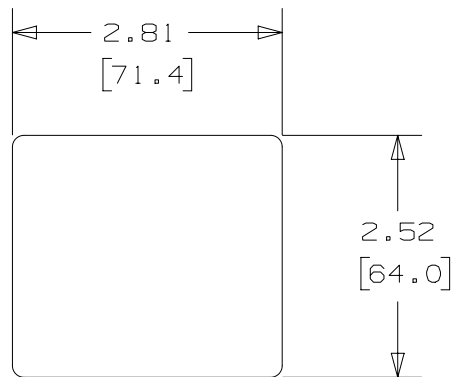
30MM PANEL
KNOCKOUT



ISOLATION MODULE



INSTRUCTION
LABEL



NOTES, UNLESS OTHERWISE SPECIFIED

1. Mount for #8 Pan Head Screw. 3 Places.
2. DIN Rail Mounting Feature
3. Lead Wires. 10 Feet X 8. 14 AWG (2.08mm²)

READ PRODUCT INSTRUCTIONS BEFORE USING

PANDUIT PART NO.: VS-AVT-C02-L10 (2FT SYSTEM CABLE)
 VS-AVT-C08-L10 (8FT SYSTEM CABLE)
 VS-AVT-C02-L03 (8 FT SYSTEM CABLE, 3 FT LEADS)

GENERAL SPECIFICATIONS

Electrical System: For use in 1, 2, or 3-phase AC systems
Voltage Detection Range: Up to 600V AC (50/60Hz), 600V DC
Absence of Voltage Threshold: 3V
Overvoltage Category: III (600V)
Degree of Protection: NEMA 1, 12, 4, 4X/IP66*

Environmental
Operating Temperature: 0°C to +60°C (32°F to 140°F)
Storage Temperature: -45°C to +85°C (-49°F to +185°F)
Humidity: 5 to 95% non-condensing
Pollution Degree: 3

Battery
Voltage: Industrial 3.6V Lithium AA
Serviceability: User Replaceable.

Weight
 VS-AVT-C02-L10: 1712 gms / 3.77lbs
 VS-AVT-C08-L10: 1792 gms / 3.95lbs
 VS-AVT-C02-L03: 1202 gms / 2.65lbs

*Degree of protection specified is related to the Indicator Module only

REV	DATE	BY	CHK	APR	DESCRIPTION	ECN
3	10/19/17	DFA	MSAD	JW	ADDED VS-AVT-C02-L03 TO NOTES	GAECN05166
2	6/7/17	MROB	MSAD	JW	ADDED AUXILIARY INSTRUCTION LABEL	GAECN04170

TITLE		VERISAFE ABSENCE OF VOLTAGE TESTER	
ITEM REVISION NAME		CUSTOMER DRAWING	
DATASET FILE NAME		14I216AS/05	PANDUIT
		14I216AS_DC/05A	
UNLESS OTHERWISE SPECIFIED, DIMENSIONAL TOLERANCES ARE: IN [mm]		MATERIAL:	
.x ± .1 [2.54]	.xxx ± .005 [.127]	N/A	
.xx ± .01 [.25]	ANGLES ± 5°	DRAWING NUMBER:	
THIRD ANGLE PROJECTION		14I216AS_DC	
DRAWN BY	DATE	CHK	SCALE
MROB	4/3/17	MSAD	NTS
SHT 1 OF 1		SIZE	
		B	