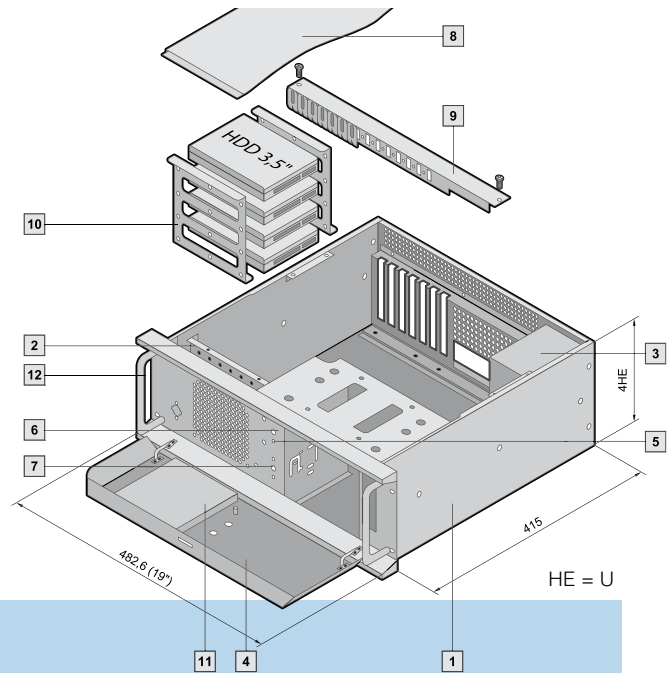


ATX Economy with front door, 4 U, sheet steel



Technical specifications:

482.6 mm (19") rack-mount system for the installation of ATX/Mini-ATX or Micro-ATX boards and 3 x 5¼" and 1 x 3½" drives.

Width: 482.6 mm (19")
Height: 4 U (177.0 mm)
Total depth: 430 mm
EMC prepared.

Material/surface finish:

Case, cover: 1.2 mm sheet steel, zinc-plated,
Front door: 1.2 mm sheet steel, spray-finished in RAL 7035, unpainted contact points

Standards:

Complies with IEC 60 297-3 and ATX specification 2.01

Special designs available on request.

Supply includes:

- 1 Rack-mount system 4 U, including drive holder
- 2 1 x 120 mm fan and filter mat
- 3 ATX power pack 300 W

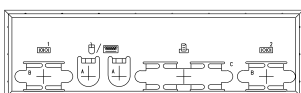
- 4 Front door, horizontally hinged, lockable
- 5 LED displays, speakers
- 6 Reset button
- 7 On/off switch
- 8 Cover

	Packs of		Page
U		4	
Width mm		482.6 (19")	
Height of flanges/side panels, mm		177.0/174.0	
Depth mm		430.0/415.0	
Order No. basic system fully assembled	1	3659.100	
Accessories			
9 Card retainer	7	3659.010	65
Mounting bar for card retainer	1	3659.090	65
Unused slot cover	5	3659.030	64
Cover for 5¼" drive space	1	3659.110	64
Cover for 3½" drive space	1	3659.410	64
10 Drive holder	1 set	3659.230	64
11 Spare filter mat	1	3659.120	-
Uninterruptible power supply	1	3659.080	161
Telescopic slides for 600 mm enclosure depth	1 set	3659.180	64
Telescopic slides for 800 mm enclosure depth	1 set	3659.190	64
12 Front handles for ATX 4 U	2	3659.240	64
ATX I/O covers, sheet steel¹⁾			
Type „Aurora Marl“	1	3659.040	-
Type „Tucson“/„Venus“	1	3659.130	-
Type „Providence“	1	3659.140	-

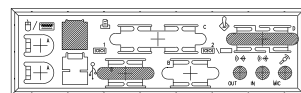
¹⁾ Other versions available on request; please specify the type of mainboard.

ATX I/O covers:

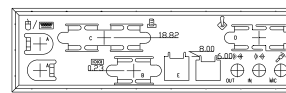
Type „Aurora Marl“



Type „Venus“



Type „Providence“



Type „Tucson“

